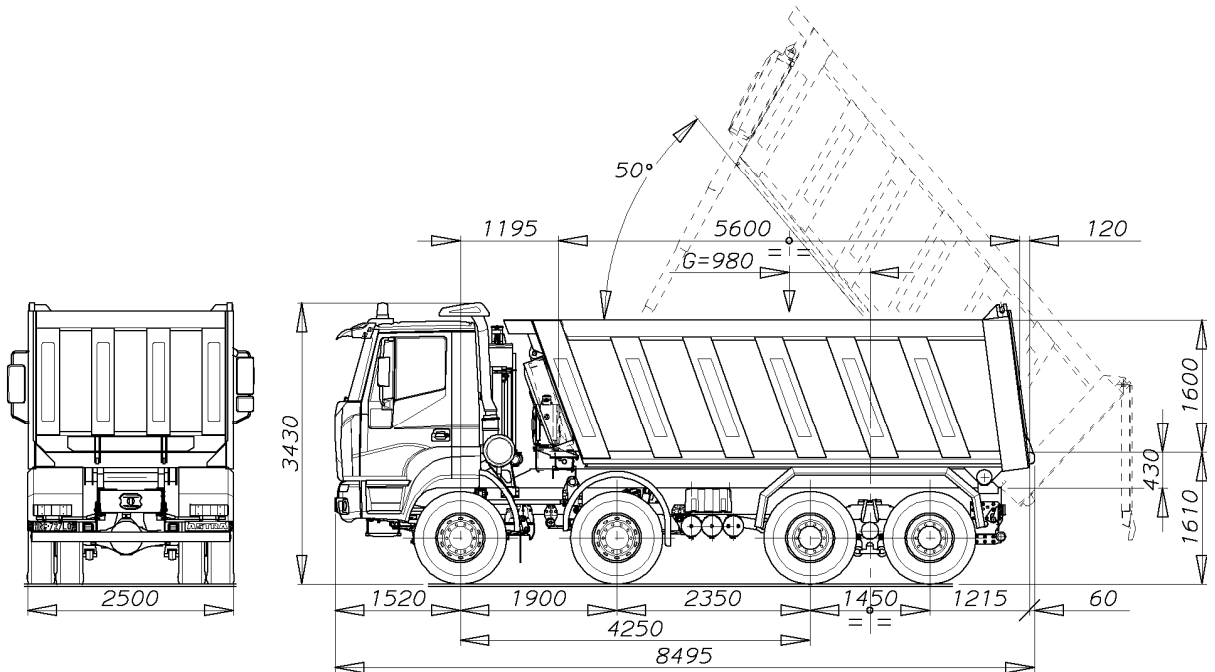




P1405212

**CANTONI & C**  
BOFFALORA-T. (MI) ITALY

00631941

**REAR TIPPER**  
"PF SEMIROCCIA"  
**HD9 84.42****TECHNICAL DATA**

- LIFTING** : - Frontal telescopic cylinder.  
- Pneumatic, modulated body descent control.  
- Safety cable at the end of lifting.  
- Stabiliser bar.  
- Tipping time: 30 sec
- SUBFRAME** : - Side frame in bent steel sheet.  
- Anti-torsion cross-member in the back side.  
- Mixed type frame fixing (front screws with springs).
- DUMP-BODY** : - Capacity, 20 cu.m.  
- Inside dimensions, 5440 x 2310 mm  
- Structure in bent steel sheet.  
- Body floor in antiabrasion steel (HB 450), thickness 8 mm  
- Boards in antiabrasion steel (HB 400), thickness 5 mm  
- Front board equipped with cab protection roof and spare wheel holder.  
- Fixed sideboards.  
- Rear board with automatic unhooking device.

WEIGHTS (kg)	Tot.	1°+2° Axle	3°+4° Axle
Dump body .....	5000	1390	3610
Net weight of the dump truck .....	16300	8590	7710
Payload .....	33700	8210	25490
G.V.W .....	50000	16800	33200
Max. allowed weights .....		18000	34000

- Dimensions and weights are not binding and may undergo variations.