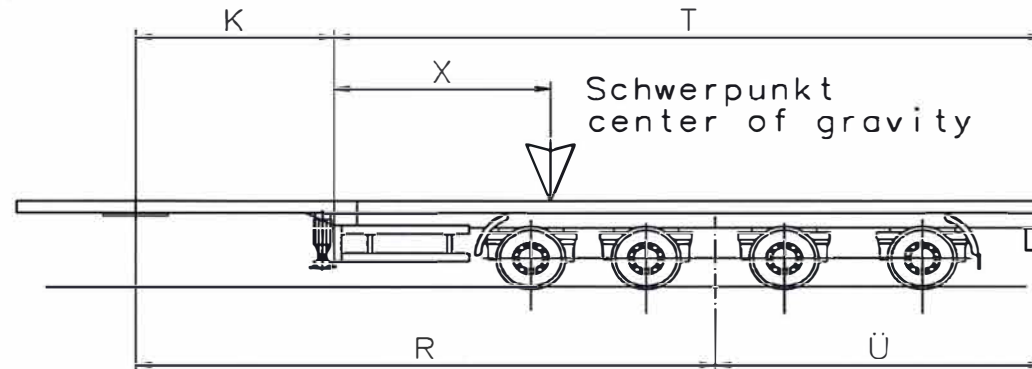


DOLL**Calculation of center of gravity and axle load P4L**

customer:	
trailer type:	P4L
truck:	
fifth wheel load - truck	16.000
axle load capacity	48.000
dead weight running gear	9.260
dead weight gooseneck, u	2.680
dead weight running gear	9.260
dead weight gooseneck, u	2.680



gross weights:		16.000	64.000	48.000
real weights from calculation:	not extended:	15.135	61.940	46.805
	extended:	15.490	61.940	46.450

center of gravity: telescope step:	min.	max.	step 1	step 2	step 3	step 4	step 5	step 6	step 7	step 8	step 9	step 10	step 11	step 12	step 13	step 14	step 15	step 16	step 17
T = platform length	8.690	12.130	10.300	10.710	11.570	12.130	8.690	8.690	8.690	8.690	8.690	8.690	8.690	8.690	8.690	8.690	8.690	8.690	8.690
K = gooseneck length	3.210	3.210	3.210	3.210	3.210	3.210	3.210	3.210	3.210	3.210	3.210	3.210	3.210	3.210	3.210	3.210	3.210	3.210	3.210
Ü = overhang rear	3.630	3.630	3.630	3.630	3.630	3.630	3.630	3.630	3.630	3.630	3.630	3.630	3.630	3.630	3.630	3.630	3.630	3.630	3.630
R = wheelbase	8.270	11.710	9.430	10.290	11.150	11.710	8.270	8.270	8.270	8.270	8.270	8.270	8.270	8.270	8.270	8.270	8.270	8.270	8.270
telescope length	0	3.440	1.160	2.020	2.880	3.440	0	0	0	0	0	0	0	0	0	0	0	0	0
X = center of gravity from end of gooseneck	2.944	5.504	3.807	4.447	5.087	5.504	2.944	2.944	2.944	2.944	2.944	2.944	2.944	2.944	2.944	2.944	2.944	2.944	2.944

weights in kg, trailer not extended			
	gooseneck	running gear	overall
dead weight	2.680	9.260	11.940
payload	13.320	38.740	52.060
gross weight	16.000	48.000	64.000

weights in kg, trailer max. extended			
	gooseneck	running gear	overall
dead weight	2.680	9.260	11.940
payload	13.320	38.740	52.060
gross weight	16.000	48.000	64.000

axle load calculation, not extended:			
loading weight:	50.000	gooseneck	15.135
distance of center of gravity:	3.000	running gear	46.805
lowbed length:	8.690	overall	61.940

axle load calculation, extended			
loading weight:	50.000	gooseneck	15.490
distance of center of gravity:	5.500	running gear	46.450
telescope length:	3.440	overall	61.940

