

PLATFORM SEMI-TRAILER

DOLL

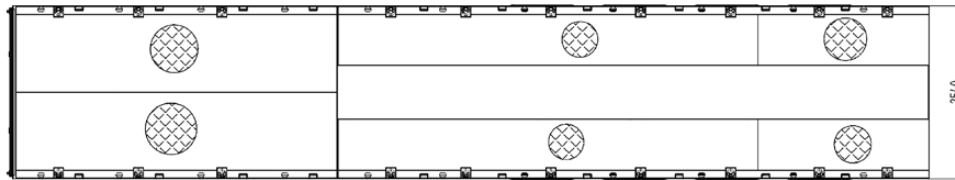
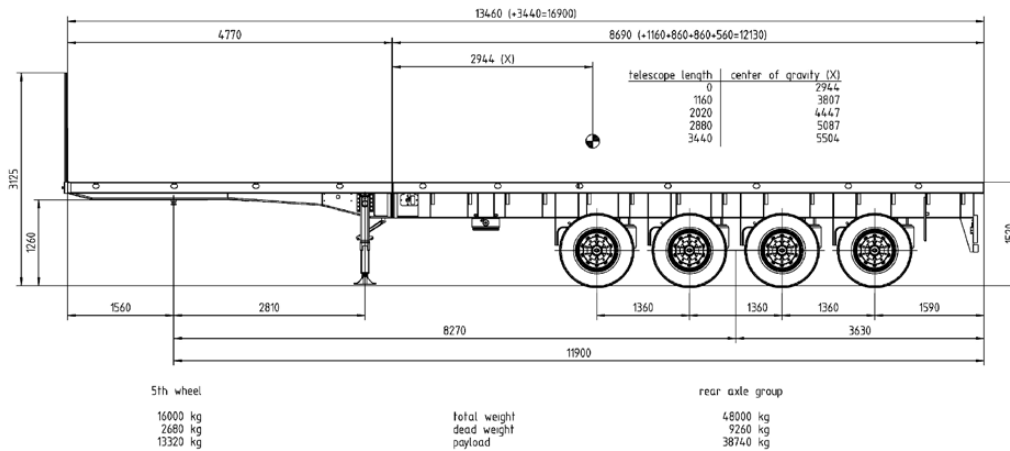
DOLL P4L

4-AXLE TRAILER, TELESCOPIC



DOLL P4L

4-AXLE TRAILER, TELESCOPIC



TECHNICAL DETAILS

TOTAL LENGTH	13.460 mm
TELESCOPIC LENGTH	3.440 mm
VEHICLE WIDTH	2.540 mm
PLATFORM HEIGHT	1.520 mm
WHEELBASE	(3x) 1.360 mm
GROSS VEHICLE WEIGHT	64.000 kg
AXLE LOAD CAPACITY	4 x 12.000 kg
DEAD WEIGHT (APPROX.)	11.940 kg
PAYLOAD (APPROX.)	52.060 kg

FEATURES

- REINFORCED STEEL CONSTRUCTION WITH TELESCOPIC CENTRAL BOX FRAME
- 2 FRICTION STEERED AXLES
- 2-LINE-BRAKE SYSTEM
- 4 PAIRS OF TWIST LOCKS
- STAKE POCKETS, LASHING RINGS AND HEAVY DUTY LASHING RINGS
- MECHANICAL LANDING LEGS
- AIR-SUSPENSION WITH LIFT-AND-LOWER FUNCTION
- TYRES: 315/80 R 22,5; STEEL RIM