

# Engine powered forklift 1.5 - 3.5 ton

**TONERO**



**TOYOTA**

MATERIAL HANDLING

# Engine powered forklift 2.5 ton

Truck specifications					02-8FGF25	52-8FDF25
Identification	1.1	Manufacturer			TOYOTA	TOYOTA
	1.2	Model			02-8FGF25	52-8FDF25
	1.3	Drive			LPG	Diesel
	1.4	Operator type			Rider seated	Rider seated
	1.5	Load capacity/rated load	Q	kg	2500	2500
	1.6	Load centre	c	mm	500	500
	1.8	Load distance, centre of drive axle to fork	x	mm	470	470
	1.9	Wheelbase	y	mm	1650	1650
	Weight	2.1	Service weight		kg	3560
2.2		Axle load, with load, front/rear		kg	5280/780	5310/810
2.3		Axle load, without load, front/rear		kg	1300/2260	1330/2290
Tyres	3.1	Tyre - pneumatic (P), pneumatic shaped cushion (SE), solid rubber (R)			SE	SE
	3.2	Tyre size, front			7,00-12	7,00-12
	3.3	Tyre size, rear			6,00-9	6,00-9
	3.5	Wheels, number front/rear (x = driven wheels)			2x/2	2x/2
	3.6	Track width, front	b <sub>10</sub>	mm	960	960
	3.7	Track width, rear	b <sub>11</sub>	mm	965	965
	Dimensions	4.1	Tilt of mast/fork carriage forward/backward	$\alpha/\beta$	deg	6/11
4.2		Height, mast lowered	h <sub>1</sub>	mm	1995	1995
4.3		Free lift	h <sub>2</sub>	mm	150	150
4.4		Lift	h <sub>3</sub>	mm	2960	2960
		Lift height	h <sub>23</sub>	mm	3000	3000
4.5		Height, mast extended	h <sub>4</sub>	mm	4250	4250
4.7		Height of overhead guard (cab)	h <sub>6</sub>	mm	2110	2110
4.8		Seat height	h <sub>7</sub>	mm	1050	1050
4.12		Coupling height	h <sub>10</sub>	mm	315	315
4.19		Overall length	l <sub>1</sub>	mm	3640	3640
4.20		Length to face of forks	l <sub>2</sub>	mm	2640	2640
4.21		Overall width	b <sub>1</sub>	mm	1150	1150
4.22		Fork dimensions	s/e/l	mm	40/100/1000	40/100/1000
4.23		Fork carriage DIN 15 173, class/type A, B			IIA	IIA
4.24		Fork-carriage width	b <sub>3</sub>	mm	1020	1020
4.31		Ground clearance, with load, below mast	m <sub>1</sub>	mm	90	90
4.32		Ground clearance, centre of wheelbase	m <sub>2</sub>	mm	135	135
4.33		Aisle width for pallets 1000x1200 crossways	A <sub>st</sub>	mm	3950	3950
4.34	Aisle width for pallets 800x1200 lengthways	A <sub>st</sub>	mm	4150	4150	
4.35	Turning radius	W <sub>o</sub>	mm	2280	2280	
4.36	Internal turning radius	b <sub>13</sub>	mm	745	745	
Performance data	5.1	Travel speed, with/without load		km/h	17,5/18	19/19,5
	5.2	Lift speed, with/without load		m/s	0,60/0,64	0,62/0,66
	5.3	Lowering speed, with/without load		m/s	0,50/0,50	0,50/0,50
	5.6	Max. drawbar pull, with/without load		N	18500/8500	19200/8700
	5.7	Gradeability, with load <sup>1)2)</sup>		%	29	28
	5.8	Max. gradeability, with/without load <sup>2)</sup>		%	33/19	31/19
	5.10	Service brake			Hydraulic	Hydraulic
Combustion engine	7.1	Engine manufacturer/type			Toyota 4Y-ECS (V)	Toyota 1ZS (V)
	7.2	Engine power according to ISO 1585		kW	38	41
	7.3	Rated speed		1/min	2570	2200
	7.4	No. of cylinders/displacement		cm <sup>3</sup>	4/2237	3/1795
	7.5a	Fuel consumption according to EN16796		l/h	—	2,6
	7.5b	Fuel consumption according to EN16796		kg/h	2,4	—
Others	8.2	Operating pressure for attachments		bar	147	147
	8.3	Oil volume for attachments		l/min	65-71	65-82
	8.4	Sound level at the driver's ear according to EN 12 053		dB(A)	77	77

<sup>1)</sup> At 1,5 km/h

<sup>2)</sup> Computed values

Performance data and dimensions are nominal and subject to tolerances.

Specifications are subject to change without notice.

Please obtain the latest specifications before contracting products.

# Mast dimensions and rated capacities

Model			V							FV					FSV							
8FG/DF25	Lift height	$h_{23}$	3000	3300	3500	3700	4000	4500	5000	5500	3000	3300	3500	3700	4000	4300	4700	5000	5500	6000	6500	7000
	Lift	$h_3$	2960	3260	3460	3660	3960	4460	4960	5460	2960	3260	3460	3660	3960	4260	4660	4960	5460	5960	6460	6960
	Height, mast lowered	$h_1$	1995	2145	2245	2405	2595	2845	3095	3345	1995	2145	2245	2405	2595	1995	2145	2245	2405	2595	2845	3095
	Height, mast extended <sup>1)</sup>	$h_4$	3700	4000	4200	4400	4700	5200	5700	6200	3625	3925	4125	4325	4625	4900	5300	5600	6100	6600	7100	7600
	Height, mast extended <sup>2)</sup>	$h_4$	4250	4550	4750	4950	5250	5750	6250	6750	4240	4540	4740	4940	5240	5540	5940	6240	6740	7240	7740	8240
	Free lift, without load backrest	$h_2$	150	150	150	150	150	150	150	150	1400 [1220]	1550 [1370]	1650 [1470]	1810 [1630]	2000 [1820]	1425	1575	1675	1835	2025	2275	2525
	Free lift, with load backrest	$h_2$	150	150	150	150	150	150	150	150	785	935	1035	1195	1385	785	935	1035	1195	1385	1635	1885

1) Without load backrest

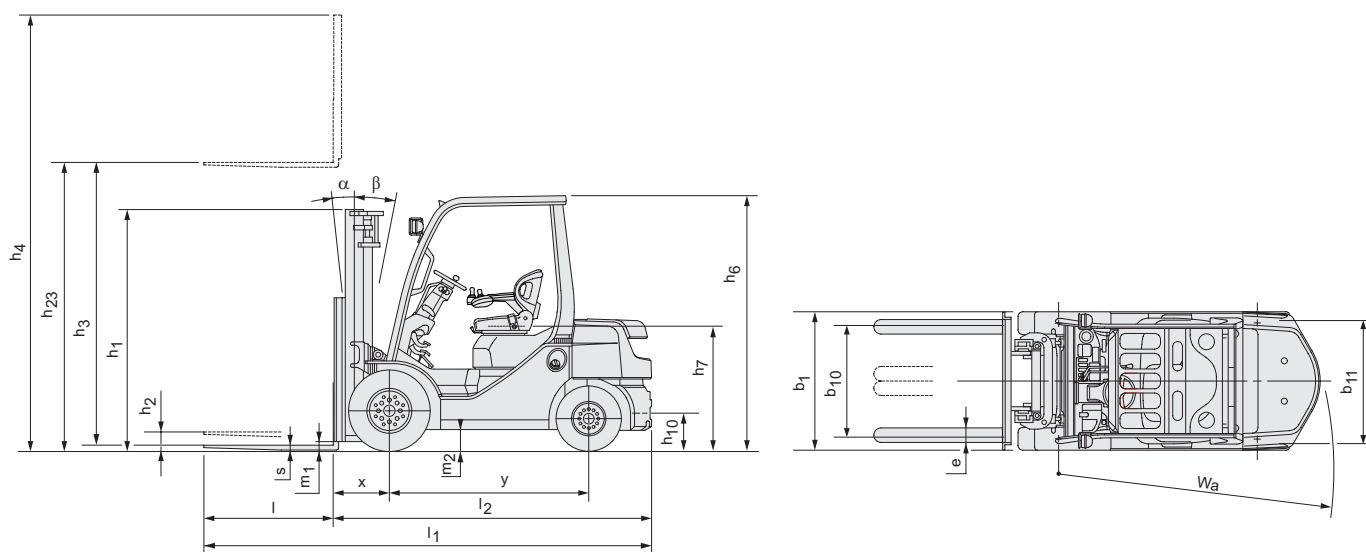
2) With load backrest; Height of standard load backrest is 1220 mm.

Data in [ ] are for when "A4 piping" is selected.

Single tyre			V							FV					FSV							
8FG/DF25	Tilt range, forward	deg	6	6	6	6	6	6	6	—	6	6	6	6	6	6	6	6	6	6	6	—
	Tilt range, backward	deg	11(6)	11(6)	11(6)	11(6)	9	6	6	—	11(6)	11(6)	11(6)	11(6)	9	6	6	6	6	6	6	—
	Load capacity, P tyres at 500 mm LC	kg	2500	2500	2500	2500	2500	2150	1700	—	2500	2500	2500	2500	2500	2300	2000	1500	1250	900	650	—
	Load capacity, SE tyres at 500 mm LC	kg	2500	2500	2500	2500	2500	2300	1850	—	2500	2500	2500	2500	2500	2300	2000	1650	1400	1050	750	—

Dual tyre			V							FV					FSV							
8FG/DF25	Tilt range, forward	deg	6	6	6	6	6	6	6	6	6	6	6	6	6	6	6	6	6	6	6	6
	Tilt range, backward	deg	11(6)	11(6)	11(6)	11(6)	11(6)	11(6)	6	6	11(6)	11(6)	11(6)	11(6)	11(6)	6	6	6	6	6	6	6
	Load capacity, P/SE tyres at 500 mm LC	kg	2500	2500	2500	2500	2500	2450	2400	2300	2500	2500	2500	2500	2500	2500	2450	2400	2050	1700	1550	1200

Data in ( ) are for when "Cabin Series" is selected (minimum front windshield).



## Standard equipments:

- Toyota SAS (System of Active Stability\*)
- Toyota OPS (Operator Presence Sensing)
- Toyota ORS seat (Operator Restraint System)
- Orange seatbelt including seat belt interlock
- Wide visible mast (V3000 mm)
- Load backrest (Height: 1220 mm)
- Long forks (Length: 1000 mm)
- Long forkbar [Length: 920 mm (8FG/DF15.18); 1020 mm (8FG/DKF20, 8FG/ DF20.25); 1070 mm (8FG/DF30,8FG/DJF35)]
- 3-way valve (A400)
- Dual brake system
- Pneumatic shaped cushion tyres
- Full hydraulic power steering
- 7" cyclone air cleaner with snorkel air intake
- Anti-restart ignition key switch
- Long life coolant 50%
- LED Headlights
- LED Rear combination lights
- Multi function display II including self diagnostic system
- Travel speed control, engine auto stop and ECO mode (except 1DZ-III engine)
- Adjustable tilt steering column
- Polycarbonate roof
- Tilt cylinder boots (STD on 1ZS engine only)

\* = When dual tyres are selected, the Active Control Rear Stabilizer function of the SAS system of Active Stability (SAS) is not included.