

**FIAT DUCATO XLH2 (L4H2)  
MINIBUS TOP TRIM 16+1  
140HP MANUAL GEARBOX  
READY IN STOCK**



**Technical Description**

| <b>BOARDING AND IN-VEHICLE AIDS</b>   |          |            |   |
|---|----------|------------|---|
| <b>Supply and fitting of MECHANICAL side step,</b> fully automatic, appropriate for the opening and closing of the sliding door, featuring <b>ROUNDED PERIMETERAL EDGES</b> and ribbed embossing aluminium anti-slip surface; load capacity KG 150; EC approval | <b>S</b> | -          | - |
| <b>Side handrail for easy access,</b> fixed to the floor by means of a high-strength coupling; ergonomic structure with easy-grip surface, rounded sides for easy gripping when stepping up and down  | <b>S</b> | -<br>BLACK | - |
| <b>Multi-height side grab bar,</b> fixed to the structure, on the right side of the vehicle's side pedestrian access door, to allow easy and safe passage of passengers during boarding and deboarding  | <b>S</b> | -<br>BLACK | - |

**IMAGE OF SIDE DOOR ACCESS**



SIDE GRAB BAR, MULTI HEIGHT, BLACK COLOUR

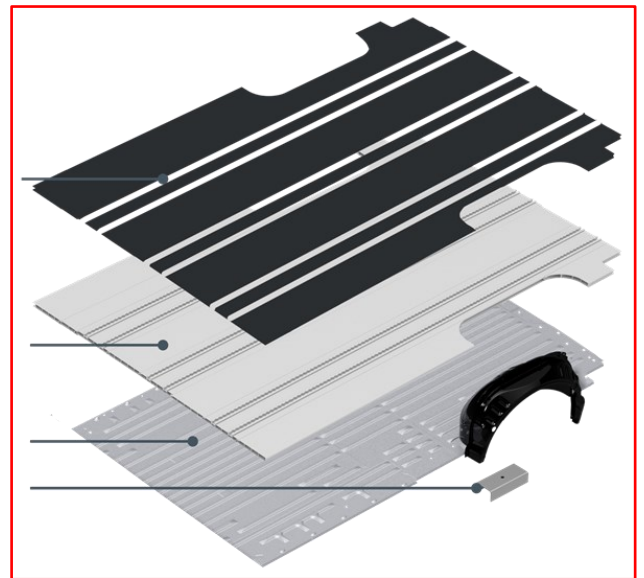
ERGONOMIC SIDE HANDRAIL COLOUR BLACK TEXTURED

MECHANICAL, SELF-RETRACTING SIDE STEP

## DESCRIPTION

| PASSENGER COMPARTMENT FLOORING  |   |                   |   |
|---|---|-------------------|---|
| <p><b>Application of exclusive aluminum extruded modular flooring "ALU-FLOOR",</b> non-deformable, applied granting maximum versatility' of use of the seats on board as well as' greater structural rigidity' of the vehicle itself; seat anchoring rails equipped with elusive "double hollow" profile without screws, with ultra-low profile and anodized anti protruding upper edge; application to the original vehicle floor by bonding, without body holes or under-floor reinforcements; M2 approval according to crash tests required by the recent Framework Directive in 2001/116/EC and Directives 76/115/EG and 96/38/EG</p> | S | -                 | - |
| <p><b>Covering of the flooring described above by fitting SAFE S type approved washable and non-slip linoleum inside the rails,</b> hardened with quartz and "carborundun" powders to give it maximum mechanical resistance and resistance to hygienic solvents, even aggressive ones; non-slip reliefs; rear and side protection edging made of "ribbed embossing" aluminium</p>   | S | Colour:<br>"AZUL" | - |

## PAVIMENTAZIONE INCOLLATA ALLA STRUTTURA ORIGINALE DEL PIANALE ORIGINALE



**DESCRIPTION**

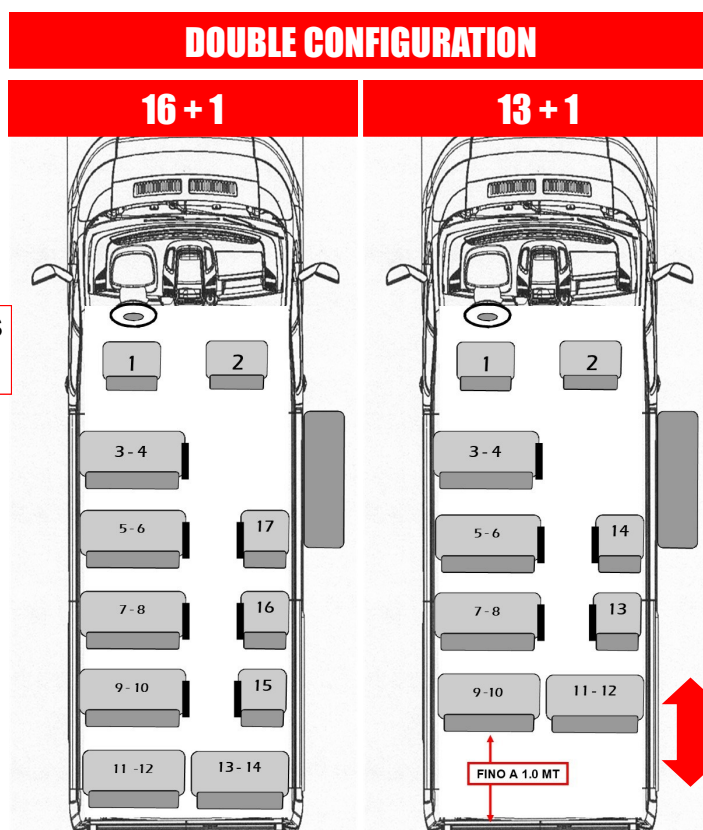
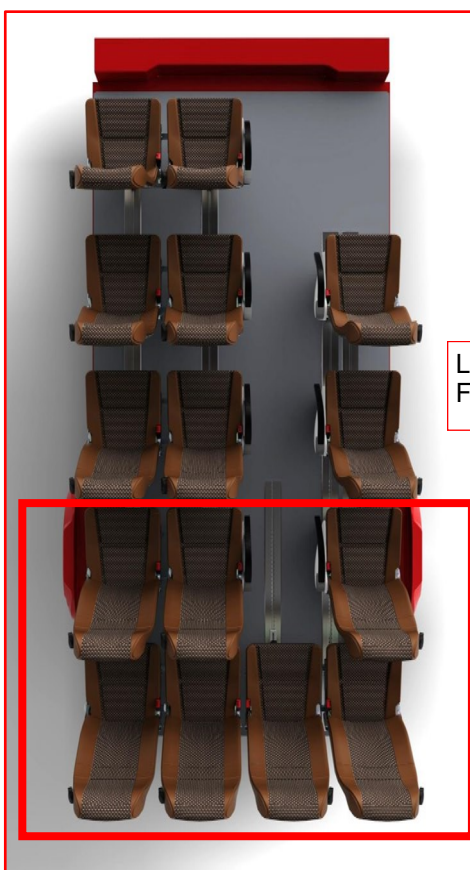
| PASSENGER COMPARTMENT SEATS   |   |   |   |
|---|---|---|---|
| <p><b>Supply and installation in the passenger compartment of type- approved "minibus" seats,</b> applied to the aluminum floor with the following features: two-color iso fiat cover (as driver's cab seats); integrated headrest; reclined ergonomic backrest; 3 (three) point belts with pre-tensioner and internal backrest harness (to avoid entanglement and facilitate positioning); removable seating for easy cleaning, washing and sanitising (seating plan according to Diagram 5) - FOLDABLE armrests on aisle side; the back of the backrest is washable, made of high-strength vandal-resistant ABS and fitted with elastic net for storing personal belongings</p> | S | - | - |

**SINGLE-SEATERS ARRANGED IN 5 ROWS**



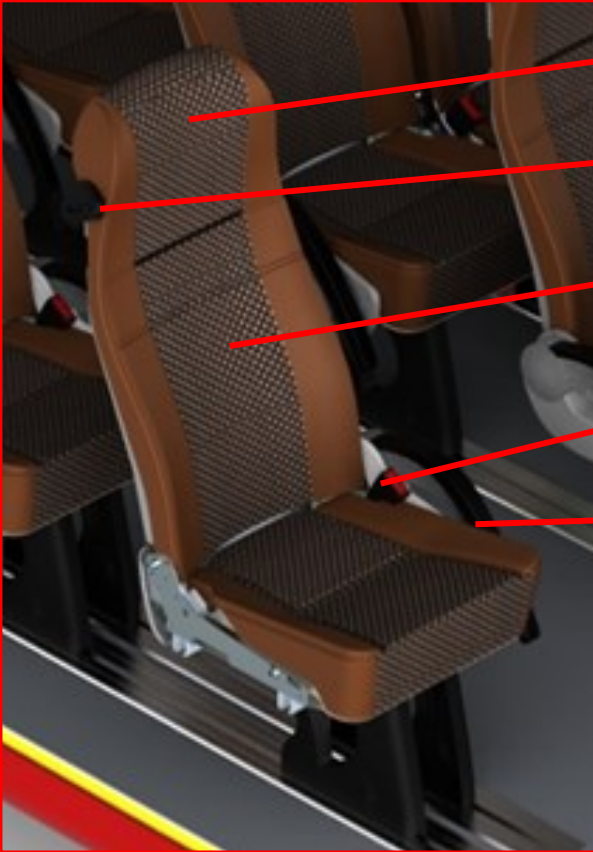
## DESCRIPTION

| SEAT RELEASE SYSTEMS  |   |   |                         |
|---|---|---|-------------------------|
| <p><b>All seats of passengers area can be detached and repositioned</b><br/>to allow a much larger luggage storage area or better distance between seats in this driving configuration the total seats are only 13 + driver (SEE CONFIGURATION BELOW)</p> | S | -   | -                       |
|   |   | <p><b>Supply and installation of "HAL 3" quick release system</b><br/>with rear release and anti-vibration adjustment; integrated rear wheels for easy movement of the seats on the rails (systems applied to the last 2 rows of seats) - SEE PLANS BELOW</p> | ON LAST 2<br>(TWO) RAWs |



**TECHNICAL DETAIL OF THE SINGLE SEATS PROPOSED - MINIBUS**

**IMAGE OF THE SINGLE SEAT**



Integrated high-comfort headrest

3-point pre-tensioned seat belt

RECLINABLE ergonomic backrest for maximum travel comfort and restraining side shoulders

Belt attachment receptor

Folding armrest on the aisle side

**IMAGE OF THE DOUBLE SEAT**



ISO FIAT upholstery as driver's cabin upholstery

Folding armrest on the aisle side

Rounded ergonomic anti protruding supports



## DESCRIPTION

|   |          |   |   |
|---|----------|---|---|
| <b>BAGS LUGGAGE WITH INTEGRATED LIGHTS AND CLIMATIZATION</b>  |          | - | - |
| <b>LUGGAGE IN PASSENGERS AREA</b> , located on left and riht side of passen-<br>gers area, with integraed climatization system, hi-fii diffusers, llights | <b>S</b> | - | - |

### IMMAGINE LATERALE DEL VANO PASSEGGERI



Central led light with integrated blue light

Roof of passengers area, in grey colour

Emergency exit in top of roof, glazed

Luggage for bags on left and right of passengers area, with integrated lights, climatization system and hi-fii acoustic diffuser

Sliding window in second raw

Side panel, luxury, with integrated space for personal things + USB gate

Heating system on the left side of passengers area, with on/off button on dashboard

Reclinable seats in passengers area, with armrest foldable

Floor of passengers area

**DESCRIPTION**

**PANORAMIC IMAGE OF PASSENGERS AREA**



ROOF

EMERGENCY EXIT ON THE ROOF

LEFT AND RIGHT SIDE LUGGAGES

SIDE WINDOW OF PASSENGERS AREA

## DESCRIPTION

| CLIMATIZATION SYSTEM FOR PASSENGERS AREA  |   |   |   |
|---|---|---|---|
| <b>Double climate system</b> for passengers area, fixed on top of driving cabin, with air flow integrated in side roof luggage racks (left and right)   | S | - | - |
| <b>EXTRA HEATER FIXED ON THE SIDE OF PASSENGER AREA, IN SECOND RAW, WITH ON/OFF BOTTON ON DASHBOARD</b>   | S | - | - |
| <b>PASSENGER COMPARTMENT INTERIOR TRIMS</b>   |   | - |   |
| <b>Passenger compartment trim by application of ABS interiors</b> with complete covering of metal parts and exclusion of screws and structural protrusions; complete covering of original sheet metal and rear wheel arches ABS covering; side coverings of the passenger compartment under the original glazing, by applying shaped, corrosion-proof, shatter-proof and washable panels. | S | - | - |

## PARTICOLARE DEL GRUPPO CLIMA POSTERIORE





**DESCRIPTION**

| UTILITY ACCESSORIES   |   |   |   |
|---|---|---|---|
| <b>Supply and fitting of No. 2 (two) glass-breaking hammers on the left and right sides</b> of the passenger compartment with quick-release fixing base + emergency belt cutter | S | - | - |
| <b>Supply and housing of 2 kg fire extinguisher</b> , type-approved with base for quick release and re-attachment at rear wheel arch on left side                               | S | - | - |
| <b>FIRST AID KIT INTEGRATED IN VEHICLE</b>  | S | - | - |



**FIRE EXTINGUISHER**

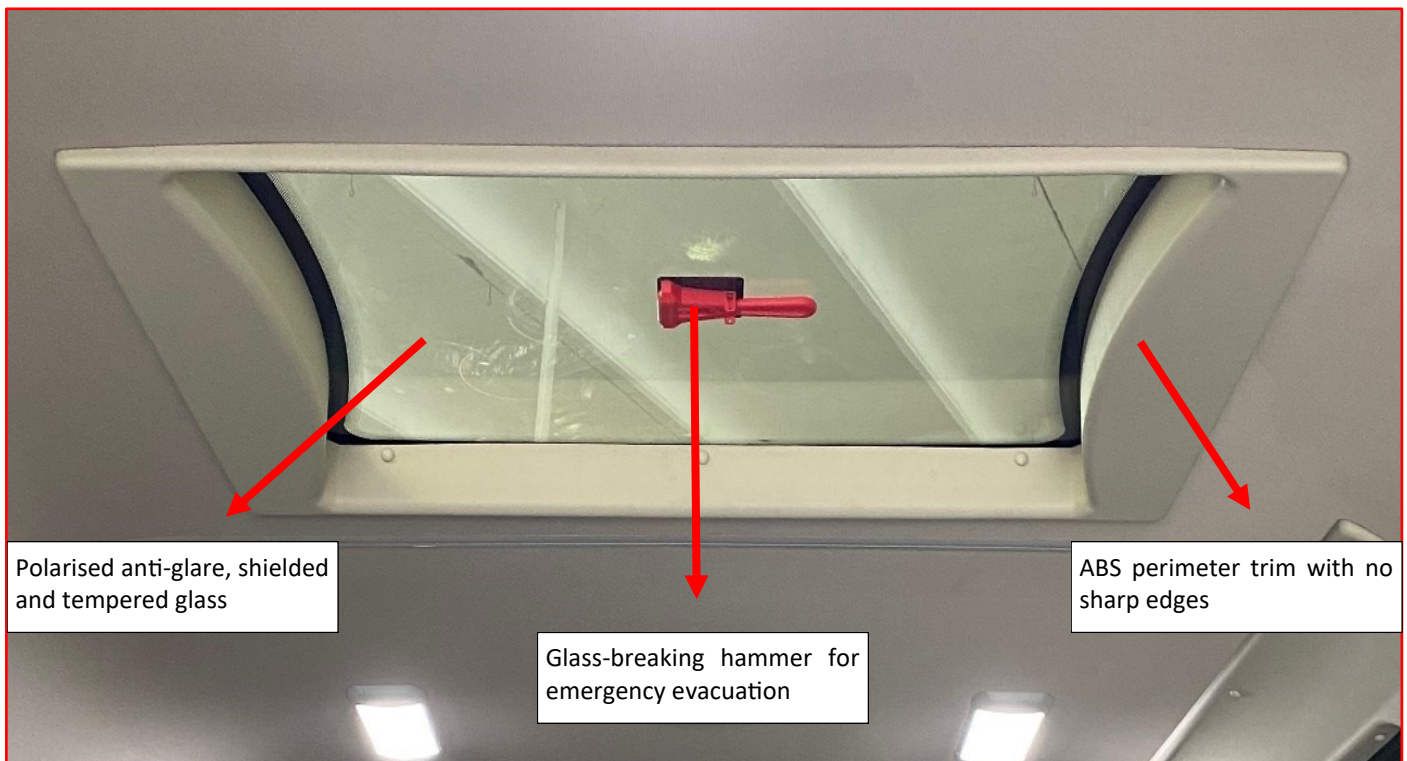


**GLASS-BREAKING HAMMER**

## DESCRIPTION

| EVACUATION, AIR EXCHANGE AND INDOOR LIGHTING   |          |                          |   |
|--|----------|--------------------------|---|
| <p><b>Supply and installation of a glazed hatch in the centre of the roof,</b> transparent tempered anti-glare, polarised anti-reflection type, equipped with internal ABS perimeter edging, polarised to prevent direct interaction of the sun's rays. Perfectly suited for increasing the interior brightness, improving passenger assistance, access to seats and enhancing the conviviality in the passenger compartment; an element that is also included for safety, as it provides a practical escape route from the vehicle in the event of a rollover</p> | <b>S</b> | -                        | - |
|  |          | <b>INTEGRATED HAMMER</b> |   |

## IMAGE OF THE REAR ROOF GLAZED HATCH



## DESCRIPTION

| INTERNAL COVERINGS OF THE PASSENGER COMPARTMENT  |   |   |   |
|--|---|---|---|
| <b>Finizioni di rivestimento del vano passeggeri, mediante applicazione di interni in ABS</b> con copertura completa delle parti metalliche ed esclusione di viterie e sporgenze strutturali; completa copertura dei lamierati originali e rivestimento dei passaruota posteriori mediante copertura in ABS; rivestimenti laterali del vano passeggeri sotto alle vetrate originali, mediante applicazione di pannelli sagomati, anti corrosione, anti sfondamento e lavabili. | S | - | - |
| <b>Parte superiore del tetto in metacrilato automotive</b> , colore grey come la cabina di guida, altamente insonorizzato e sagomato a ridosso dei lamierati originali del veicolo per garantire massima abitabilità del vano passeggeri   | S | - | - |



Luci supplementari a tetto, al led, con luci notturne di crociera integrate

Botola a tetto vetrata per maggiore luminosità interna ed evacuazione in caso di crash

Cappelliere a tetto con luci di lettura integrate e bocchette regolabili per climatizzatore

Vetri apribili in seconda fila

Rivestimenti dei fianchi e delle bordature vetri mediante ABS ASA automotive lavabile

Pannellature laterali con tasche in BAS integrate

**DESCRIPTION**

| ADDITIONAL PASSENGER COMPARTMENT LIGHTS AND ROUTE INDICATION  |   | - |   |
|---|---|---|---|
| <b>Supply and application of passenger compartment lighting system consisting of LED light sources</b> , recessed and high intensity; dedicated on/off by separate button placed on the dashboard integrated in original Fiat dash (no holes of the dashboard nor of the original panels) and suitable for opening the lateral sliding door | S | - | - |
| <b>Courtesy night lights INTEGRATED TO OVERHEAD LIGHTS</b> , switched on by special button located on dashboard integrated in original Fiat dash  | S | - | - |
| <b>Sliding door step light</b> , to improve visibility at night when getting in and out of the passenger compartment; suitable lighting when opening and closing the lateral sliding door   | S | - | - |
| <b>DASHBOARD CONTROL PANEL for turning on and off the day and night rear lights</b> , backlit and integrated in the original dashboard  | S | - | - |



Dashboard-integrated control panel for turning on rear lights

**DESCRIPTION**

|  |          |              |              |
|--|----------|--------------|--------------|
| <b>WINDOW DECORATION AND MATTING</b>   |          |              |              |
| <b><u>NO SPECIFIC AESTHETIC DECORATIONS</u></b>  | -        | -            | -            |
| <b>OLMEDO SERVICES</b>   |          |              |              |
| <b><u>Delivery of the equipped vehicle to your premises</u></b>  | -        | To be agreed | To be agreed |
| <b><u>REGISTRATION OF THE CAR BY YOUR SIDE</u></b><br><b><u>(WE SUPPLY OUR CERTIFICATION AND COC OF THE VEHICLE)</u></b>   | -        | -            | -            |
| <b>MCTC (Civil Motoring and Transport Concessions Authority)/CPA APPROVAL AND TESTING</b>  |          |              |              |
| <b><u>Vehicle under National Limited Type Approval Stage 2</u></b> , conforming to category M2 standards; technical and type-approval reports filed with the Ministry of Transport in accordance with Directive 2007/46/EC establishing a harmonised framework containing administrative provisions and general technical requirements for new vehicles. Directive 2007/46/EC requires EC whole vehicle type-approval for all vehicle categories, including those manufactured in several stages, as is the case with the vehicle in question. | <b>S</b> | Included     | Included     |

## 2 - Dotations included in vehicles

|  |   |
|--|---|
|  |   |
|  | <b>VEHICLES</b> : FIAT DUCATO EXTRA LONG L4H2<br><b>COLOUR</b> : WHITE<br><b>PLACE IN DRIVING CABIN</b> : 2 (TWO): DRIVER + SINGLE SEAT PASSENGER |

| MODEL  | DISPLACEMENT | KW  | COD.      |
|--|--------------|-----|-----------|
| FIAT DUCATO SERIE 9 MAXI GLAZED VAN 40Q<br>XLH2 140CV 2.2 MULTIJET 3 E6D-FINAL | 2.184        | 102 | 295.HH3.9 |

| STANDARD EQUIPMENT INSTALLED ON THE OFFERED VEHICLE | CODE |   |
|---|------|---|
| CERCHIO IN ACCIAIO DA 16"                           | 5EV  | S |
| EXTERNAL REVERSE BUZZER                             | 01P  | S |
| ARMREST AND DRIVER'S SEAT BACK SUPPORT              | 132  | S |
| MANUAL AIR CONDITIONING SYSTEM                      | 025  | S |
| ELECTRIC OUTSIDE REAR VIEW MIRRORS + DEFROSTER      | 041  | S |
| TWO-SEAT PASSENGER SEAT WITH CENTRAL 3 POINT BELTS  | 293  | S |
| RADIO DISPLAY 5" BLUETOOTH + DAB                    | 2PX  | S |
| MULTI LANGUAGE BOOK WITH QR CODE                    | 31Q  | S |
| KIT FIX & GO TYRE REPAIR KIT                        | 499  | S |
| PARKING SENSORS                                     | 508  | S |
| TANK 90 LITERS                                      | 738  | S |
| SPEED LIMITER + CRUISE CONTROL                      | NHR  | S |

|  |   |
|--|---|
|  | <b>VEHICLES</b> : FIAT DUCATO EXTRA LONG L4H2<br><b>COLOUR</b> : WHITE<br><b>PLACE IN DRIVING CABIN</b> : 2 (TWO): DRIVER + SINGLE SEAT PASSENGER |
|--|---|

| MODEL  | DISPLACEMENT | KW  | COD.      |
|--|--------------|-----|-----------|
| FIAT DUCATO SERIE 9 MAXI GLAZED VAN 40Q<br>XLH2 140CV 2.2 MULTIJET 3 E6D-FINAL | 2.184        | 102 | 295.HH3.9 |

| MAIN APTIONAL INSTALLED ON THE OFFERED VEHICLES  | CODE                     |          |
|--|--------------------------|----------|
| TRANSFORMER SOCKET AND BATTERY PREPARATION   | 081                      | INCLUDED |
| SLIDING WINDOWS IN SECOND ROW  | 644                      | INCLUDED |
| REAR AIR CONDITIONER PREPARATION   | 4GT                      | INCLUDED |
| HEATED REAR WINDOW   | 029                      | INCLUDED |
| FIAT DUCATO WHEEL REPAIR AND REPLACEMENT KIT (FIX&GO+NORMAL SIZE SPARE WHEEL+WINCH)  | 64E                      | INCLUDED |
| PRIVACY TINTED SIDE WINDOWS  | 070                      | INCLUDED |
| ADJUSTABLE PASSENGER SEAT + ARMREST  | 297                      | INCLUDED |
| <b>PACK COMFORT DRIVE ASSIST:</b><br>PACK ASSIST + ACC>30 KM/H<br>INTELLIGENT SPEED ASSIST<br>ATTENTION ASSIST (DROWSYDRIVERDET.)    | 2PQ                      | INCLUDED |
| HEIGHT ADJUSTABLE PASSENGER SEAT   | 454                      | INCLUDED |
| SINGLE SEAT PASSENGER AIRBAG   | CJ1                      | INCLUDED |
| REAR VIEW CAMERA   | 316                      | INCLUDED |
| <b>PACK TECHNO :</b><br>RADIO DISPLAY 7" TOUCH BLUETOOTH + CP/AA<br>DOUBLE USB CHARGING PORT SU PLANCIA<br>AUTOMATIC CLIMATE CONTROL | 5W2<br>2PY<br>RS3<br>140 | INCLUDED |

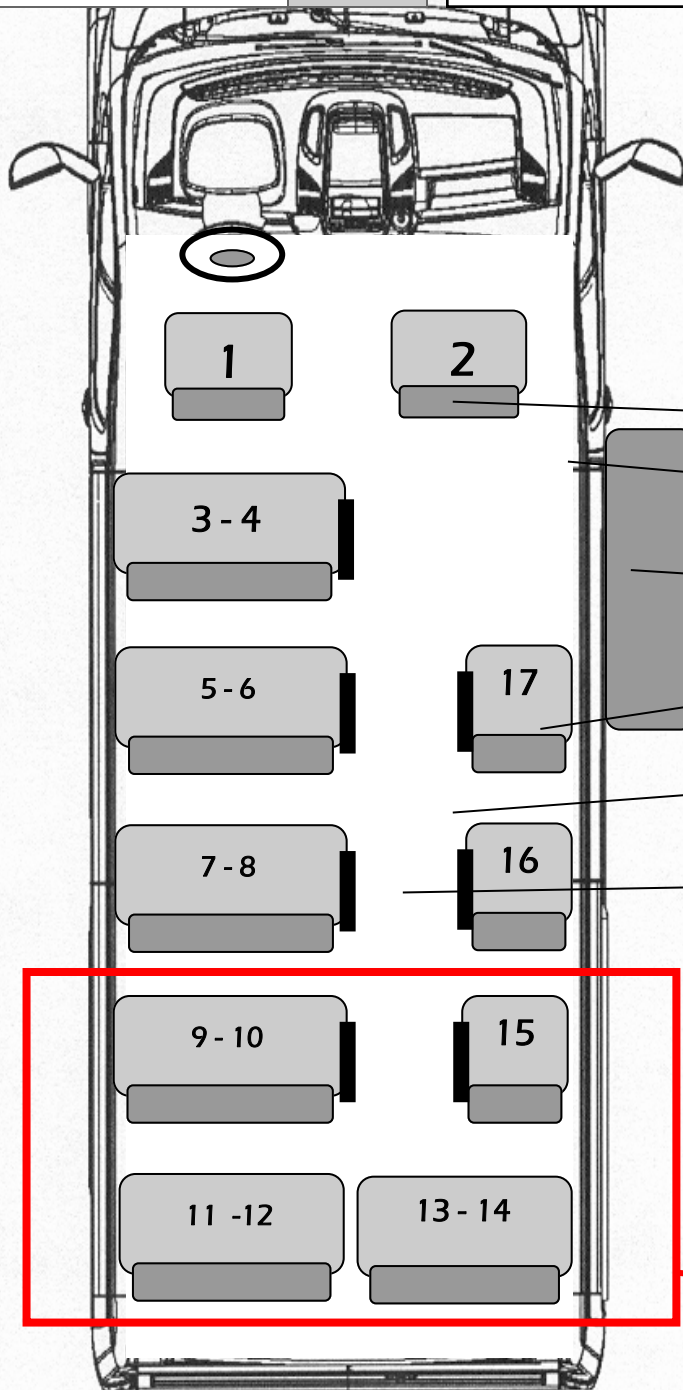


## SEATS DISPOSITION

|                  |    |
|------------------|----|
| PASSENGER SEATS  | 16 |
| DRIVER           | 1  |
| WHEELCHAIR PLACE | -  |
| TOTAL PLACES     | 17 |

## SEATS DISPOSITION

|                      |                                    |
|----------------------|------------------------------------|
| NUMERO POSTI TOTALI  | : 16 (SIXTEEN) + DRIVER (17 TOTAL) |
| FAST LOCK SEATS      | : LAST 2 (TWO) RAWS                |
| KIND OF SEAT / MODEL | : MINIBUS RECLINABLE               |
| FABRIC               | : CLASSE 1 GREY / BLACK            |



**PLACE 1: DRIVER**

**PLACE 2: CO-DRIVER (SINGLE SEAT)**

**POSTO 3-4-5-6-7-8-9-10-11-12-13-14-15-16-17: SEATS IN PASSENGERS AREA**

SEATS IN DRIVING CABIN

HANDRAIL ON RIGHT SIDE

MECHANICAL SIDE STEP

SINGLE SEATS IN PASSENGERS AREA

ALUMINIUM FLOOR FOR SEATS AND WHEELCHAIR FIXATION

FAST LOCK SEATS IN LAST RAW





**6 - EXTERNAL DIMENSIONS OF THE VEHICLE**

**L4H2**

