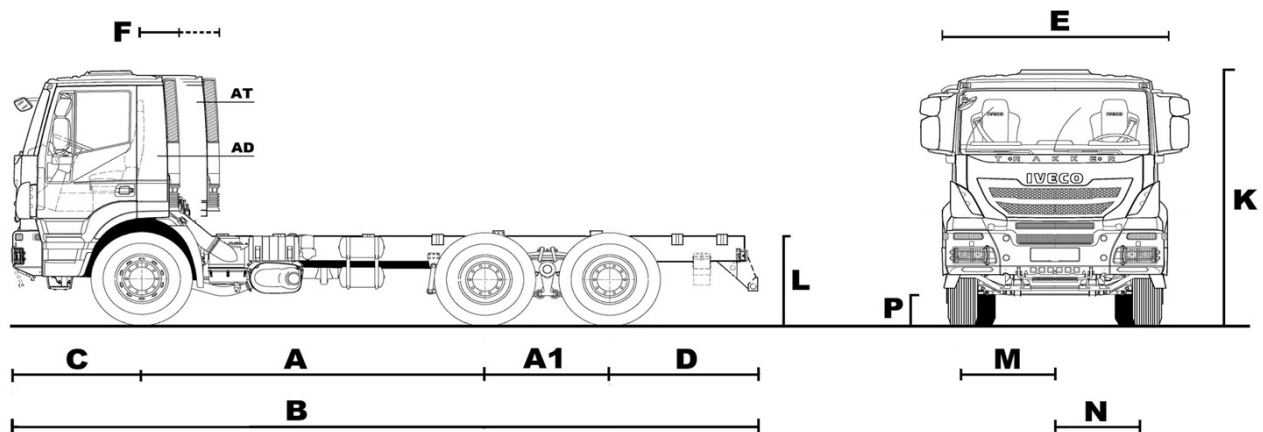


## IVECO TRAKKER

AD / AT 380T42 H

Rigid 6x4



WEIGHTS (kg.)	G.V.W.	G.C.W.	Front axle	Rear axle
Design weights (std.)	34.000	60.000	8.000	26.000
Design weights (opt.)	37.000	100.000*	8.000	29.200

\* Irregular towing operations (max. gradient 7%)

KERBWEIGHTS (kg.) cab / wb.	short	3.200	3.500	3.820	4.200	4.500
Front axle		4.730	4.750	4.775	4.775	4.765
Rear axle		4.660	4.670	4.695	4.775	4.855
Total		9.390	9.420	9.470	9.550	9.620
PAYLOAD (kg.) @ G.V.W.		24.610	24.580	24.530	24.450	24.380

DIMENSIONS (mm)							
A	Wheelbase		3.200	3.500	3.820	4.200	4.500
A1	Tandem		1.380	1.380	1.380	1.380	1.380
B	Overall length (over bumpers)		7.682	7.997	8.267	9.257	9.527
C	Front overhang		1.440	1.440	1.440	1.440	1.440
D	Rear overhang		1.495	1.495	1.495	2.080	2.080
E	Cab width		2.550	2.550	2.550	2.550	2.550
	Back of cab to end of frame	short	5.794	6.109	6.379	7.369	7.639
		long	5.354	5.669	5.939	6.929	7.199
F	Cab gap	short	445 (760)	445 (760)	445 (760)	445 (760)	445 (760)
	(with vertical exhaust muffler)	long	900 (1210)	900 (1210)	900 (1210)	900 (1210)	900 (1210)
K	Cab height (unladen)		3.106	3.106	3.106	3.106	3.106
L	Frame height at rear frame end		1.100	1.100	1.100	1.100	1.100
	Frame thickness		10	10	10	10	10
	Turning circle (wall to wall)		15.950	16.650	17.450	18.400	19.150
M	Front track		2.040	2.040	2.040	2.040	2.040
N	Rear track		1.827	1.827	1.827	1.827	1.827
P	Ground clearance (front)		337	337	337	337	337
	Ground clearance (rear)		310	310	310	310	310

TYRES & WHEELS	Tyre code	Mission	Tyre dimensions		Wheel dimensions	
			Front	Rear	Front	Rear
Standard	20079	C	13R22,5	13R22,5	22.5x9.00	22.5x9.00
Option	20188	C	12.00R20	12.00R20	20x8.50	20x8.50
Option	20764	D	12.00R24	12.00R24	24x8.50	24x8.50

Tyre mission code: B = regional; C = all use; D = mix/off road

NOTE: Weights are to standard specification and include water, oils, tool box, jack and 75 kg. driver. Kerb weights are subject to a manufacturing tolerance of +/- 5%. Sleeper cab adds +110 kg. (95 on front, 15 kg. on rear). Medium Roof on Sleeper Cab adds +230 kg. and H=625 mm. Automated gearbox reduces -45 kg.

## IVECO TRAKKER

### AD / AT 380T42 H

#### ENGINE

Turbocharger	Iveco Cursor 13
Cylinders in line	Waste-Gate valve
Bore (mm)	6
Stroke (mm)	135
Capacity (litres)	150
Max power (HP/kW)	12,88
@ rpm	420/309
Max torque (Nm/mKg)	1500-1900
@ rpm	1900/194
E.E.C. emissions regulation	900-1500
Cooling fan	Euro 3 (Euro 2 option)
Fuel system	2 speed electro-magnetic
Speed limiter	Unit pump injector
Cruise control	90kmh
Air admission / Filter type	Standard
	Rear cab snorkel / dry - Horizontal

#### GEARBOXES

Ratios	EUROTRONIC 16AS2630 TO		MECHANICAL 16S2220 TO	
	1st	14,12	13,80	13,80
2nd	11,68		11,54	
3rd	9,54		9,49	
4th	7,89		7,93	
5th	6,52		6,53	
6th	5,39		5,46	
7th	4,57		4,57	
8th	3,78		3,82	
9th	3,09		3,02	
10th	2,56		2,53	
11th	2,09		2,08	
12th	1,73		1,74	
13th	1,43		1,43	
14th	1,18		1,20	
15th	1,00		1,00	
16th	0,83		0,84	
Rev	13,07	10,8	12,92	10,8

#### PERFORMANCE

	(with standard tyres)				
Type: ZF 16 AS 2630 TO					
Axle ratios available	4,67	4,23	5,01	5,56	6,09
Geared speed (km/h)	101	110	94	85	77
Gradeability % @ 34 t G.V.W.	66	58	73	87	100
Gradeability % @ 60 t G.C.W.	33	29	36	40	45
Type: ZF 16 S 2220 TO					
Axle ratios available	4,23	3,79	4,67	5,01	5,56
Geared speed (km/h)	110	123	100	93	84
Gradeability % @ 34 t G.V.W.	56	49	64	71	83
Gradeability % @ 60 t G.C.W.	29	26	32	35	39

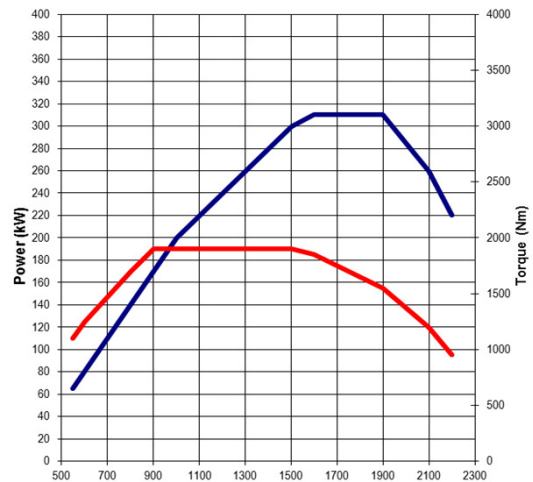
#### CLUTCH

Type	Single plate, diaphragm spring, pull type.
Diameter (mm)	(17") 430 mm

#### BRAKES

Type	2 independent pneumatic circuits
Service	A.B.S. + E.B.L. on rear
Front axle (disc option)	Ventilated discs. 432 mm Friction area: 784 cm <sup>2</sup>
Front axle (drum option)	Duo-duplex drums. Dia.:410x180mm Friction area: 2884 cm <sup>2</sup>
Rear axle	Duo-duplex drums. Dia.:410x200mm Friction area: 3220 cm <sup>2</sup>
Parking	Mechanical with spring cylinder, rear.
Emergency	Combined with parking brake.
Air reservoirs	5 x 20 litres, steel
Engine - Iveco Turbo Brake	Decompression. Power: 295kW @ 2400 rpm
Air compressor	352cc - single cylinder
Heated air dryer	Air Processing Unit
Trailer connections	15 pin plug as alternative 7+7 pin

Cursor 13 - 420 HP



#### ELECTRICS

Tension	24v negative earth return
Alternator	28v, 90A
Starter	24v, 5.5kW
Batteries	2 x 12v, 170Ah
Circuits protected	By fuse
System	Multiplex - CAN line data bus

#### SUSPENSIONS

Front	Parabolic leaf
Rear	Semielliptic leaf
Anti roll bar	Front & 1st rear
Shock absorbers	2 on front

#### STEERING

Type ZF 8098	Power assisted
Steering wheel diameter	510 mm

#### AXLES

Steering with single wheels	Iveco 5886. Rigid.
Drive with twin wheels	Iveco 453291.Tandem. Hub reduction.
Differential lock	Cross and inter axle.
Rear axle ratio	See Performances.

#### FUEL TANK

Type and capacity	300lt., steel with lockable fuel cap.
-------------------	---------------------------------------

#### CAB INTERIOR

##### Active Time

Interior incorporating, air suspended 3-way adjustable driver's seat, inertia reel belt. Passenger seat 2 way adjustable with inertia reel belt. Soft feel dashboard with multi-functional steering wheel incorporating touch button menu controls for the real time digital dash display. Dual scale speedometer. All gauge functions monitored using international symbols. Heater. Left and right hand entry assist handles. Pneumatic adjustable steering column, 2 column mounted control stalks, left stalk operating the indicators, main beam, windscreen wash wipe, (if provided) right stalk operating Eurotronic 2 gear change, engine brake, cruise control and variable speed limiter. If provided, left of the steering column is the dash mounted Eurotronic gearbox controls for automatic and semi-automatic modes, neutral, reverse and low speed manoeuvring mode (forward and reverse). Overhead console for CB radio. Courtesy and map reading lights. Electronic PTO switch and in cab preparation. Fabric trim cab interior. Single low level bunk with under bunk storage, bottle holder & storage and control panel.

##### Active Day

As above without bunk & under storage, with rear bulk head storage & writing pad.

#### CAB EXTERIOR

##### Active Time

Forward control cab. Galvanised pressed steel construction, with SMC for vulnerable parts. Helical spring suspension and dampers. Hydraulic cab tilt to 60 deg. Tinted electric door windows and tinted laminated screen. Manual rear-view mirrors plus kerb and wideangle mirrors, according to 2003/97/EC. Blind rear cab panel. External stowage for tools. Steel front bumper.

##### Active Day

As above without external stowage.

#### CHASSIS

Type	Ladder construction. Pressed steel side members and riveted and bolted cross members.
Side member length (mm)	309
Flange width (mm)	80