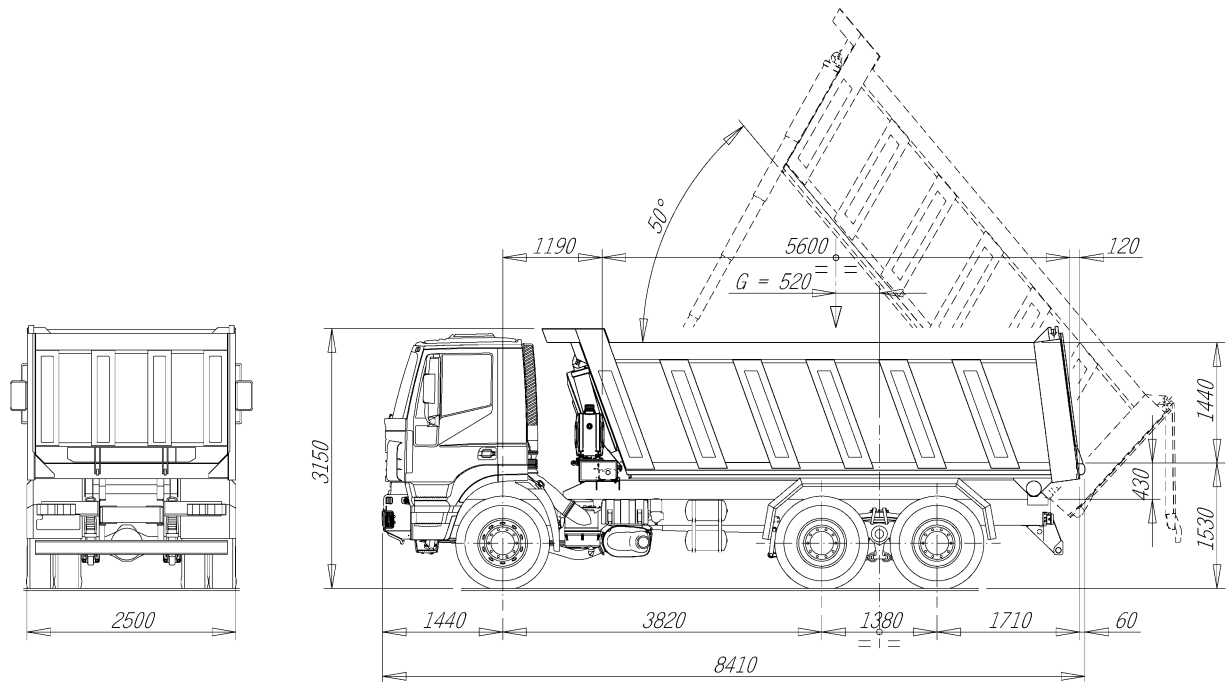




P1503232

CANTONI & C
BOFFALORA-T. (MI) ITALY**REAR TIPPER**
"PF SEMIROCCIA"
TRAKKER AD380T38H**IVECO**

01531112

**TECHNICAL DATA**

"CE"

- LIFTING** : - Frontal telescopic cylinder.
- Pneumatic, modulated body descent control.
- Safety cable at the end of lifting.
- Stabiliser bar.
- Tipping time: 30 sec
- SUBFRAME** : - Side frame in bent steel sheet.
- Anti-torsion cross-member in the back side.
- Mixed type frame fixing (front screws with springs).
- DUMP-BODY** : - Capacity, 18 cu.m.
- Inside dimensions, 5440 x 2300 mm
- Structure in bent steel sheet.
- Body floor in steel S355JR (Fe 510), thickness 8 mm
- Boards in steel S355JR (Fe 510), thickness 5 mm
- Front board equipped with cab protection roof and spare wheel holder.
- Fixed sideboards.
- Rear board with automatic unhooking device.

WEIGHTS (kg)	Total	1° Axle	2°+3° Axle
Dump body	4900	600	4300
Net weight of the dump truck	14400	5400	9000
Payload	18600	2150	16450
G.V.W	33000	7550	25450
Max allowed weights (Front/Rear)		8000	26000

- Dimensions and weights are not binding and may undergo variations.