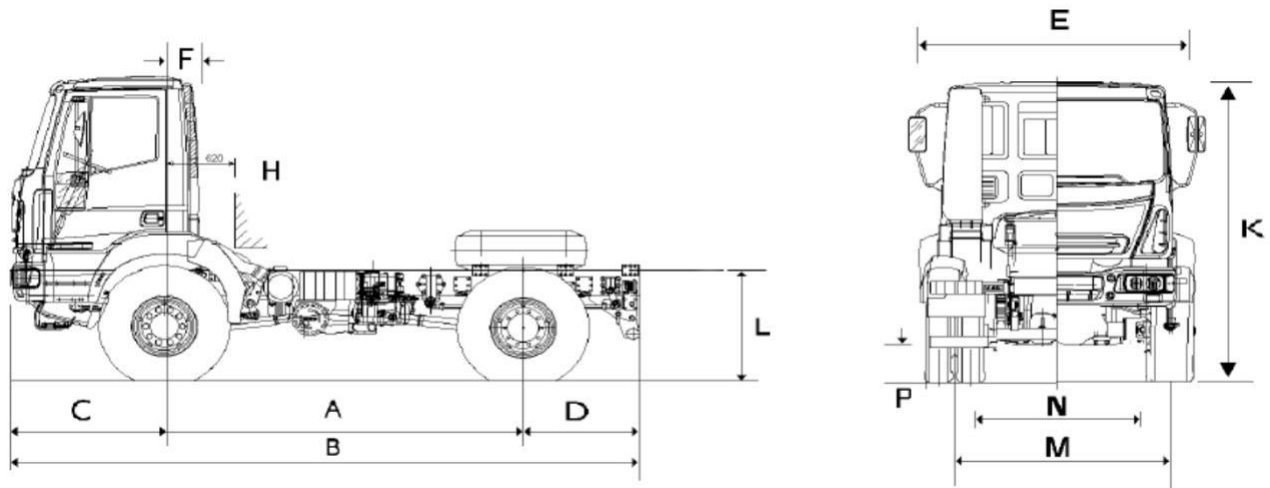


IVECO

EURO CARGO

ML 150E24W

Rigid 4x4



WEIGHTS (kg.)	G.V.W.	G.C.W.	Front axle	Rear axle
Design weights (std.)	15000	18500	5700	10000
Design weights (opt.)	15000	18500	5700	10000

KERBWEIGHTS (kg.) cab / wb.	short	3240*	3690	3915	4150
Front axle		3635	3675	3680	3695
Rear axle		1905	1890	1935	2010
Total		5540	5565	5615	5705
PAYLOAD (kg.) @ G.V.W.		9460	9435	9385	9295

* Not available with long cab

DIMENSIONS (mm)		3240	3690	3915	4150
A	Wheelbase	3240	3690	3915	4150
B	Overall length (over bumpers)	5990	6440	6665	7477
C	Front overhang	1387	1387	1387	1387
D	Rear overhang	1358	1358	1358	1935
E	Cab width	2490	2490	2490	2490
F	End of cab	210	210	210	210
H	Cab gap	short	640	640	640
		long		985	985
Recommended body length	short	4250	4750	4950	5750
	long		4400	4600	5400
	long				
K	Cab height (unladen)	3008	3007	3007	3007
L	Frame height at rear frame end	1239	1235	1231	1240
	Frame thickness	6	6	6	6
	Turning circle (wall to wall)	14400	15960	16720	17540
	Front track	1955	1955	1955	1955
	Rear track	1850	1850	1850	1850
	Ground clearance (front)	337	337	337	337
	Ground clearance (rear)	337	337	337	337

TYRES & WHEELS	Tyre code	Mission	Tyre dimensions	
			Front	Rear
Standard	20370	D	11 R 22,5	11 R 22,5
Option	20164	D	10 R 22,5	10 R 22,5

Tyre mission code: B = regional; C = all use; D = mix/off road

IVECO

ML 150E24W

ENGINE

Turbocharger
Cylinders in line
Bore (mm)
Stroke (mm)
Capacity (litres)
Max power (HP/kW)
@ rpm
Max torque (Nm)
@ rpm
E.E.C. emissions regulation
Governor
Cooling fan
Fuel system
Speed limiter

IVECO TECTOR

Turbocharged and intercooled
6
102
120
5,88
240/176
2700
810
1200 - 2100
Euro 3
All speeds
Viscostatic
Common rail - Bosch
90kmh

GEARBOXES

Ratios	MEC. 6 SPEED		MEC. 6 SP + PTO	
	ZF 6S800		ZF 6S1005 TO	
1st	6,58		6,75	
2nd	3,60		3,60	
3rd	2,12		2,12	
4th	1,39		1,39	
5th	1,00		1,00	
6th	0,78		0,78	
7th				
8th				
9th				
Rev	6,06		8,65	

PERFORMANCE

	(with standard tyres)				
Type: ZF 6S800	6,95	5,326	5,72	6,34	7,73
Axle ratios available	6,95	5,326	5,72	6,34	7,73
Geared speed (km/h)	96	125	116	105	86
Gradeability % @ 15 t G.V.W.	43	32	34	39	49
Type: ZF 6S1005 TO + PTO	6,95	5,326	5,72	6,34	7,73
Axle ratios available	6,95	5,326	5,72	6,34	7,73
Geared speed (km/h)	96	125	116	105	86
Gradeability % @ 15 t G.V.W.	44	33	35	40	50

CLUTCH

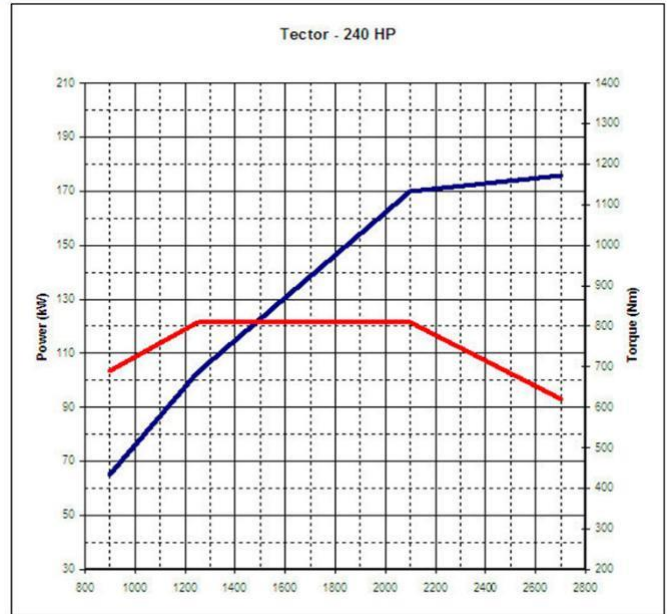
Type Single plate, diaphragm spring, pull type.
Diameter (mm) 15" (380 mm)
Asbestos free.

BRAKES

Type 2 independent pneumatic circuits
Service A.B.S. + E.B.L.
Front axle Drums: 381 mm diameter x 178 mm width
Friction area front 2800 cm²
Rear axle Drums: 381 mm diameter x 178 mm width
Friction area rear 2800 cm²
Parking Mechanical with spring cylinder, rear.
Emergency Combined with parking brake.
Air reservoirs 2 x 20 litres, steel
Engine brake Standard exhaust brake
Air compressor 225 cc - single cylinder
Air dryer Air Processing Unit

TRANSFER BOX

Type TC 700 - gearbox independent.
Ratio On road: 1/0,95 - Off Road: 1/1,62.
Torque distribution Front 33% - Rear 67%



ELECTRICS

Tension 24v negative earth return
Alternator 28v, 70A
Starter 24v, 4 kW
Batteries 2 x 12v, 110Ah
Circuits protected By fuse
System Multiplex - CAN line data bus

SUSPENSIONS

Front Parabolic
Rear Parabolic
Anti roll bar Front & rear
Shock absorbers 2 on front, 2 on rear

STEERING

Type Power assisted

AXLES

Front Iveco 5956. Rigid.
Rear Iveco 451146/1. Hub reduction.
Differential lock Cross axle available as option.

FUEL TANK

Type and capacity 115lt. with lockable fuel cap.

CAB INTERIOR

Day cab

Forward control cab. Fabric three way adjustable driver seat, dual fixed passenger seat. Overhead lockers with doors, Windowless rear wall with document net. Glove box. Four speed fan, air flow 500 m³/hr, 10 Kw. All gauges monitored using international symbols. Electronic tachograph for two drivers. Fully adjustable steering column. Column mounted control stalks. Overhead console for radio and CB. Courtesy and map reading lights.

Sleeper cab

As per day cab plus: a lower bunk, storage box under bunk, reading light and bed module for controlling cab lights, electric windows, roof hatch.

CAB EXTERIOR

Day and sleeper cab

Pressed steel construction with SMC for vulnerable parts. Suspension: helical springs and dampers. Hydraulic manual tilt to 60 degrees. Rear view mirrors according to CEE 88/321.

CHASSIS

Ladder construction. Pressed steel side members and riveted and bolted cross members.

Wheelbases (mm)
3240 - 4150

Height (mm) x width (mm)
252 x 70