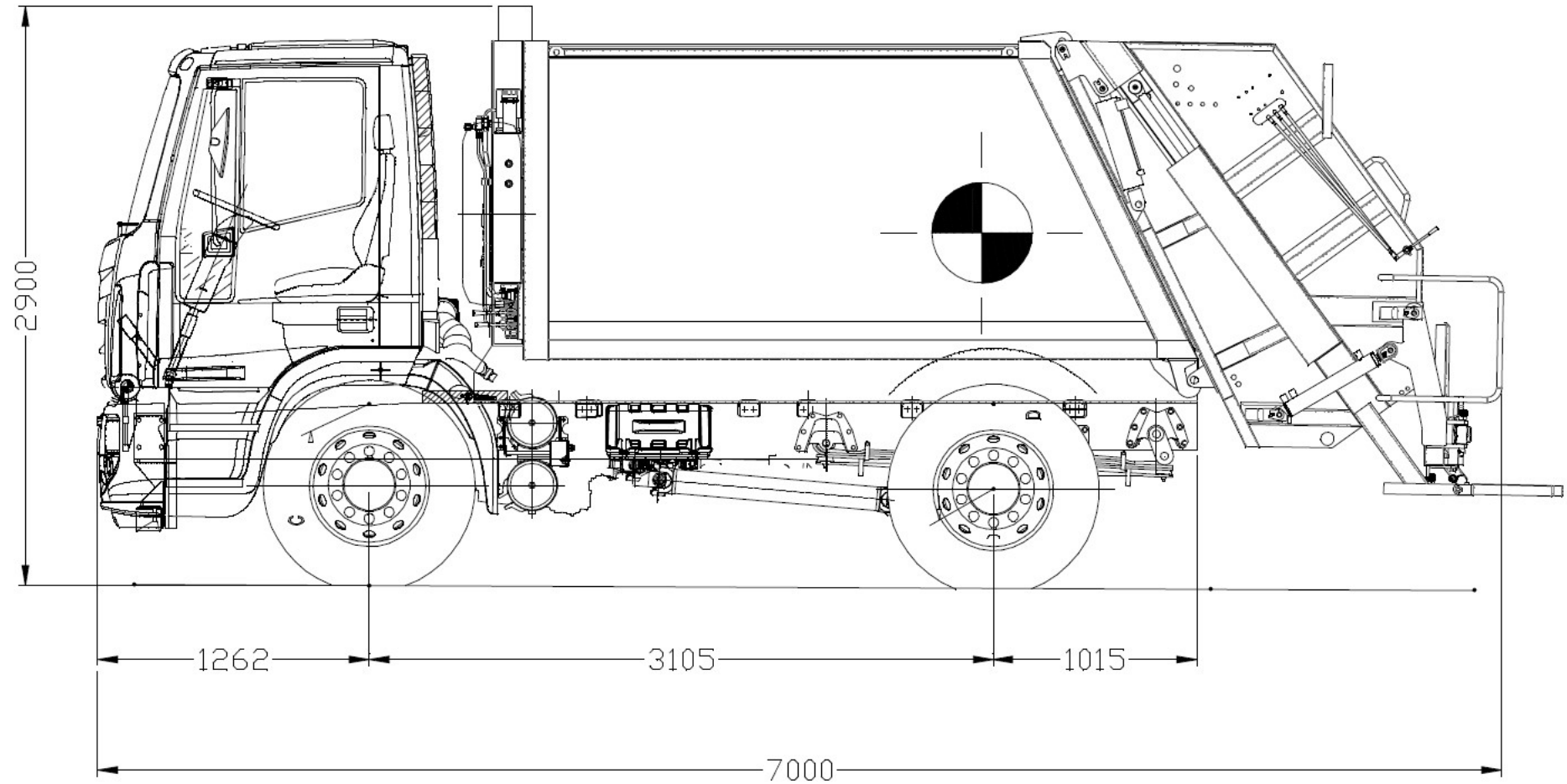


Drawing - Iveco Eurocargo ML110EL18 4x2 Garbage collector 8m3



WHEN THE BODY IS FULLY LOADED

FRONT AXLE LOAD CAP	= 4200 kg
FRONT AXLE LOAD	= 3335 kg
REAR AXLE LOAD CAP	= 7900 kg
REAR AXLE LOAD	= 7525 kg
GVW	= 11000 kg
TOTAL LOAD	= 10860 kg

WHEN THE BODY IS EMPTY

FRONT AXLE LOAD CAP	= 4200
FRONT AXLE LOAD	= 2625
REAR AXLE LOAD CAP	= 7900
REAR AXLE LOAD	= 4235
GVW	= 11000
TOTAL LOAD	= 6860

WIDTH : 2420 mm

IVECO ML110EL18 WB3105
8+1 CBMRCV

Density: 0.50 tonnes/cubic meter (8 m³ X 500 kg/m³ = 4000 kg)