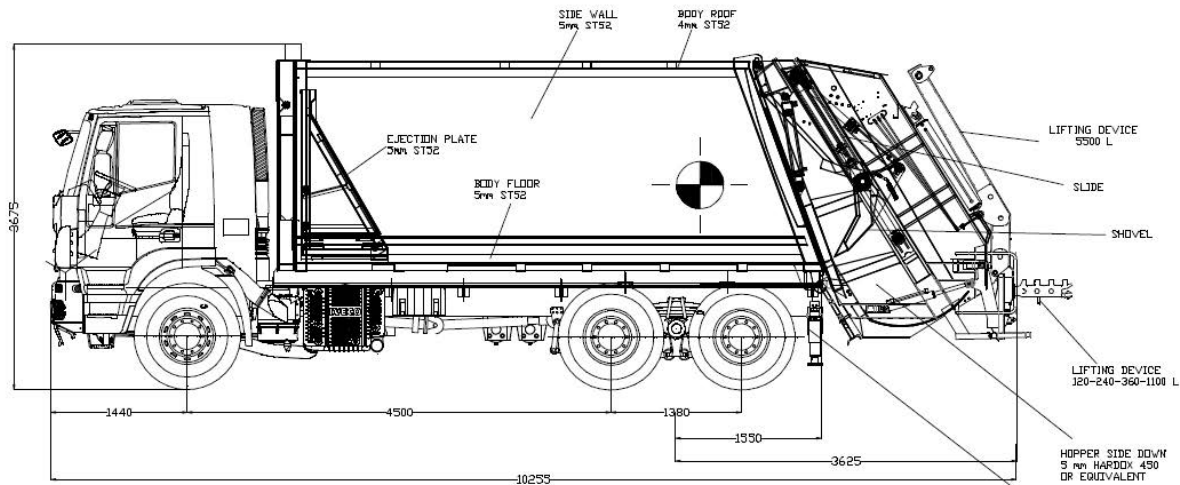


Do Not Measure From Drawing



WIDTH : 2550 mm

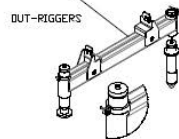
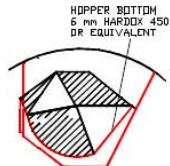
WHEN THE BODY IS FULLY LOADED

FRONT AXLE LOAD CAP	= 8000 kg
FRONT AXLE LOAD	= 6840 kg
REAR AXLE LOAD CAP	= 26000 kg
REAR AXLE LOAD	= 24250 kg
GVW	= 34000 kg
TOTAL LOAD	= 31080 kg <34000kg

WHEN THE BODY IS EMPTY

FRONT AXLE LOAD CAP	= 8000
FRONT AXLE LOAD	= 4360
REAR AXLE LOAD CAP	= 26000
REAR AXLE LOAD	= 13530
GVW	= 34000
TOTAL LOAD	= 17890

Density: 0.6 tonnes/cubic meter (22 m³ X 600 kg/m³ = 13200 kg)



NO	Issue	Changes	Release No	Date
		Item Name:		
		IVECO AT380T38 WB4500+1380 22+2 CBM RCV		
				A4
(Drawing is only as example, no rights can be derived)				