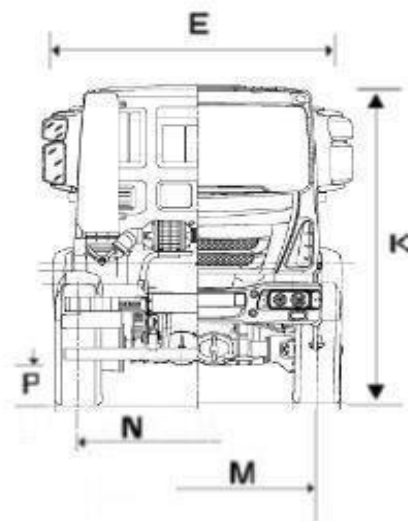
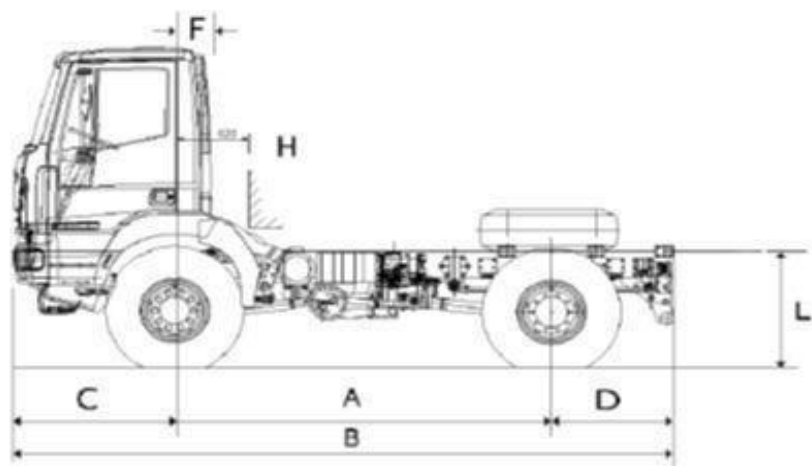


IVECO

EURO CARGO ML 150E24WS EUROIII MY2016

Rigid 4x4



WEIGHTS (kg.)	G.V.W.	G.C.W.	Front axle	Rear axle
Design weights (std.)	15000	18500	5700	10000
Design weights (opt.)	15000	24000	5700	10000

KERBWEIGHTS (kg.) cab / wb.	short	3240*	3690	3915	4150
Front axle		3795	3835	3840	3860
Rear axle		1935	1920	1965	2040
Total		5730	5755	5805	5900
PAYLOAD (kg.) @ G.V.W.		9270	9245	9195	9100

* Not available with long cab

DIMENSIONS (mm)		3240	3690	3915	4150
A	Wheelbase	3240	3690	3915	4150
B	Overall length (over bumpers)	5990	6440	6665	7477
C	Front overhang	1387	1387	1387	1387
D	Rear overhang	1358	1358	1358	1935
E	Cab width	2490	2490	2490	2490
F	End of cab	210	210	210	210
H	Cab gap	short	640	640	640
		long		985	985
	Recommended body length	short	4250	4750	4950
		long		4400	4600
K	Cab height (unladen)	3074	3073	3073	3073
L	Frame height at rear frame end	1343	1338	1334	1345
	Frame thickness	6	6	6	6
	Turning circle (wall to wall)	14400	15960	16720	17540
M	Front track	2055	2055	2055	2055
N	Rear track	2045	2045	2045	2045
P	Ground clearance (front)	392	392	392	392
	Ground clearance (rear)	392	392	392	392

TYRES & WHEELS	Tyre code	Mission	Tyre dimensions	
			Front	Rear
Standard	20115	D	395/85 R 20	395/85 R 20
Option	20168	D Tubeless	14 R 20	14 R 20

Tyre mission code: B = regional; C = all use; D = mix/off road

NOTE: Weights are to standard specification and include water, oils, tool box, jack. Kerb weights are subject to a manufacturing tolerance of +/- 5%.

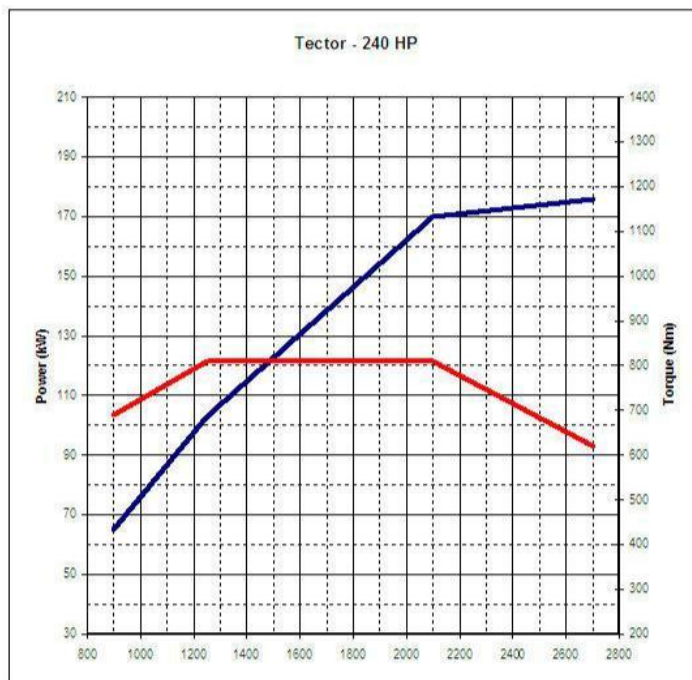
IVECO

EURO CARGO

ML 150E24WS EUROIII MY2016

ENGINE

IVECO TECTOR F4EE681B	
Turbocharger	Turbocharged and intercooled
Cylinders in line	6
Bore (mm)	102
Stroke (mm)	120
Capacity (litres)	5,88
Max power (HP/kW)	240/176
@ rpm	2700
Max torque (Nm)	810
@ rpm	1200 - 2100
E.E.C. emissions regulation	Euro 3
Governor	All speeds
Cooling fan	Viscstatic
Fuel system	Common rail - Bosch
Speed limiter	90kmh



GEARBOXES

	MEC. 6 SPEED ZF 6S800	MEC. 6 SP + PTO ZF 6S1005 TO
Ratios		
1st	6,58	6,75
2nd	3,60	3,60
3rd	2,12	2,12
4th	1,39	1,39
5th	1,00	1,00
6th	0,78	0,78
7th		
8th		
9th		
Rev	6,06	8,65

PERFORMANCE

(with standard tyres)

Type: ZF 6S800					
Axle ratios available	6,95	5,326	5,72	6,34	7,73
Geared speed (km/h)	113	147	137	124	101

Type: ZF 6S1005 TO + PTO

Axle ratios available	6,95	5,326	5,72	6,34	7,73
Geared speed (km/h)	113	147	137	124	101

CLUTCH

Type	Single plate, diaphragm spring, pull type.
Diameter (mm)	15,5" (395 mm) Asbestos free.

BRAKES

Type	2 independent pneumatic circuits
Service	A.B.S. + E.B.L.
Front axle	Drum: 381 diameter x 178 mm width
Rear axle	Drum: 381 diameter x 178 mm width
Parking	Mechanical with spring cylinder, rear.
Emergency	Combined with parking brake.
Air reservoirs	2 x 15 litres, steel
Engine brake	Standard exhaust brake
Air compressor	360 cc - single cylinder
Air dryer	Air Processing Unit

TRANSFER BOX

Type	TC 850 - gearbox independent.
Ratio	On road: 1/0,99 - Off Road: 1/1,94.
Torque distribution	Front 33% - Rear 67%

ELECTRICS

Tension	24v negative earth return
Alternator	28v, 70A
Starter	24v, 4 kW
Batteries	2 x 12v, 120Ah
Circuits protected	By fuse
System	Multiplex - CAN line data bus

SUSPENSIONS

Front	Parabolic
Rear	Parabolic
Anti roll bar	Front & rear
Shock absorbers	2 on front, 2 on rear

STEERING

Type	Power assisted
------	----------------

AXLES

Front	Iveco 5956. Rigid.
Rear	Iveco 451146/1. Hub reduction.
Differential lock	Cross axle and inter axle STD

FUEL TANK

Type and capacity	115lt. with lockable fuel cap.
-------------------	--------------------------------

CAB INTERIOR

Day cab

Forward control cab. Fabric three way adjustable driver seat, dual fixed passenger seat. Overhead lockers with doors, Windowless rear wall with document net. Glove box. Four speed fan, air flow 500 m3/hr, 10 Kw. All gauges monitored using international symbols. Fully adjustable steering column. Column mounted control stalks. Overhead console for radio and CB. Courtesy and map reading lights.

Sleeper cab

As per day cab plus: a lower bunk, storage box under bunk, reading light and bed module for controlling cab lights, electric windows, roof hatch.

CAB EXTERIOR

Day and sleeper cab

Pressed steel construction with SMC for vulnerable parts. Suspension: helical springs and dampers. Hydraulic manual tilt to 60 degrees. Rear view mirrors according to CEE 88/321.

CHASSIS

Ladder construction. Pressed steel side members and riveted and bolted cross members.

Wheelbases (mm)

3240 - 4150

Height (mm) x width (mm)

252 x 70