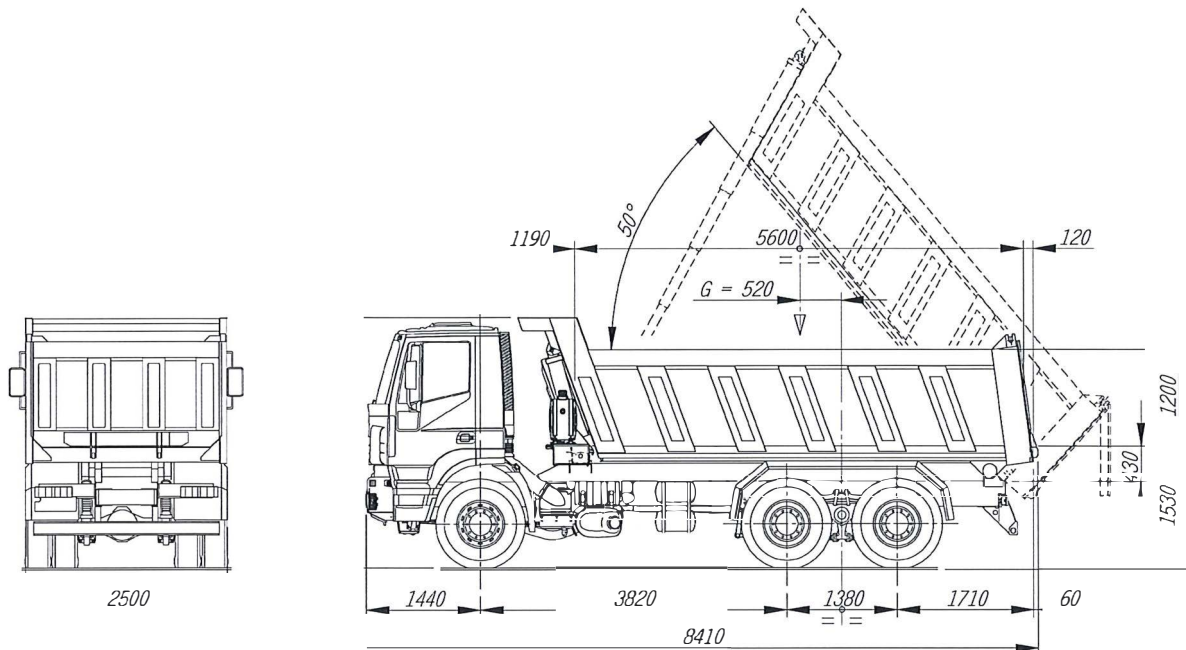


**REAR TIPPER
TRAKKER AD380T38H**

IVECO



TECHNICAL DATA

“ CE ”

- LIFTING** : - Frontal telescopic cylinder.
 - Pneumatic, modulated body descent control.
 - Safety cable at the end of lifting.
 - Stabiliser bar.
 - Tipping time: 30 sec
- SUBFRAME** : - Side frame in bent steel sheet.
 - Anti-torsion cross-member in the back side.
 - Mixed type frame fixing (front screws with springs).
- DUMP-BODY** : - Capacity, 15 cu.m.
 - Inside dimensions, 5440 x 2300 mm
 - Structure in bent steel sheet.
 - Body floor in steel S355JR (Fe 510), thickness 8 mm
 - Boards in steel S355JR (Fe 510), thickness 5 mm
 - Front board equipped with cab protection roof and spare wheel holder.
 - Fixed sideboards.
 - Rear board with automatic unhooking device.

WEIGHTS (kg)	Total	1° Axle	2°+3° Axle
Dump body	4500	550	3950
Net weight of the dump truck	14450	5550	8900
Payload	18550	2150	16400
G.V.W	33000	7700	25300
Max allowed weights (Front/Rear)		8000	26000

- Dimensions and weights are not binding and may undergo variations.