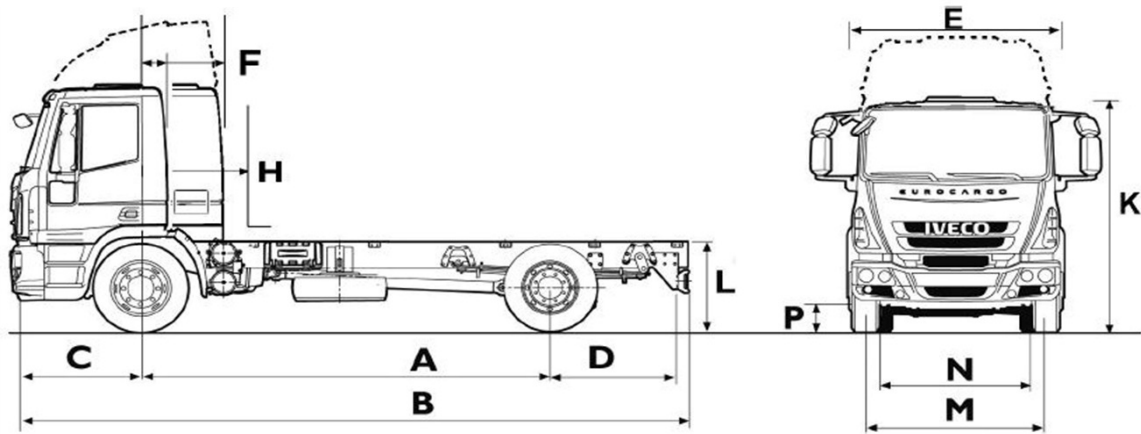


IVECO

EURO CARGO ML 150E22H

Rigid 4x2



WEIGHTS (kg.)
Design weights (std.)
Design weights (opt.)

G.V.W.	G.C.W.	Front axle	Rear axle
15000	18500	5400	10900
15000	28000*	5400	10900

* Only with 9 speed gearbox, towing version, crossmember and hook

KERBWEIGHTS (kg.) cab / wb. short

Front axle
Rear axle
Total
PAYLOAD (kg.) @ G.V.W.

	3105*	3690	4185	4590	4815	5175
Front axle	3295	3305	3325	3355	3370	3395
Rear axle	1850	1890	1905	1940	1955	1960
Total	5145	5195	5230	5295	5325	5355
PAYLOAD (kg.) @ G.V.W.	9855	9805	9770	9705	9675	9645

* Not available with long cab

DIMENSIONS (mm)

		3105	3690	4185	4590	4815	5175	
A	Wheelbase	3105	3690	4185	4590	4815	5175	
B	Overall length (over bumpers)	5684	6269	6944	7686	8114	8744	
C	Front overhang	1352	1352	1352	1352	1352	1352	
D	Rear overhang	1133	1133	1313	1650	1853	2123	
E	Cab width	2495	2495	2495	2495	2495	2495	
F	End of cab	265	265	265	265	265	265	
H	Cab gap	short	385	385	385	385	385	
		long		965	965	965	965	965
	Recommended body length	short	3900	4400	5100	5700	6100	6600
		long		3860	4200	4800	5100	5600
K	Cab height (unladen)	2869	2869	2868	2867	2867	2866	
L	Frame height at rear frame end	1166	1160	1161	1164	1166	1168	
	Frame thickness	6	6	7,7	7,7	7,7	7,7	
	Turning circle (wall to wall)	12540	14320	15820	17060	17740	18840	
M	Front track	2025	2025	2025	2025	2025	2025	
N	Rear track	1850	1850	1850	1850	1850	1850	
P	Ground clearance (front)	306	306	306	306	306	306	
	Ground clearance (rear)	338	338	338	338	338	338	

TYRES & WHEELS

	Tyre code	Mission	Tyre dimensions	
			Front	Rear
Standard	20213	C	10 R 20	10 R 20
Option	20370	C	11 R 22,5	11 R 22,5
Option	20359	C	11 R 20	11 R 20

Tyre mission code: B = regional; C = all use; D = mix/off road

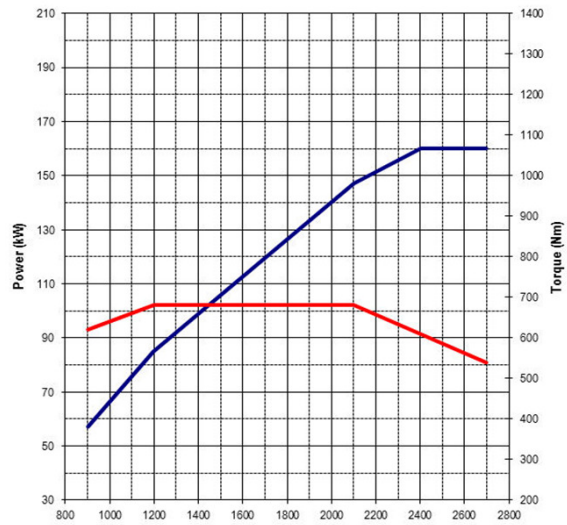
IVECO

Tector - 220 HP

ML 150E22H

ENGINE

IVECO TECTOR	Turbocharged and intercooled
Turbocharger	
Cylinders in line	6
Bore (mm)	102
Stroke (mm)	120
Capacity (litres)	5,88
Max power (HP/kW)	220/162
@ rpm	2700
Max torque (Nm)	680
@ rpm	1200 - 2100
E.E.C. emissions regulation	Euro 3
Governor	All speeds
Cooling fan	Viscodynamic
Fuel system	Common rail - Bosch
Speed limiter	90kmh



GEARBOXES

Ratios	MEC. 6 SPEED		MEC. 9 SPEED	
	ZF 6S700		ZF 9S-75TD	
1st	6,02		13,16	
2nd	3,32		8,91	
3rd	2,07		6,50	
4th	1,40		4,67	
5th	1,00		3,50	
6th	0,79		2,55	
7th			1,86	
8th			1,33	
9th			1,00	
Rev	5,58		11,74	

ELECTRICS

Tension	24v negative earth return
Alternator	28v, 70A
Starter	24v, 4 kW
Batteries	2 x 12v, 110Ah
Circuits protected	By fuse
System	Multiplex - CAN line data bus

SUSPENSIONS

Front	Semielliptic
Rear	Semielliptic
Anti roll bar	Front & rear
Shock absorbers	2 on front, 2 on rear

STEERING

Type	Power assisted
------	----------------

AXLES

Front	Iveco 5872. Rigid.
Rear	Iveco 451146. Hub reduction.
Differential lock	Cross axle available as option.

FUEL TANK

Type and capacity	180lt. with lockable fuel cap.
-------------------	--------------------------------

PERFORMANCE

(with standard tyres)

Type: ZF 6S700 TO

Axle ratios available	6,95	4,82	5,72
Geared speed (km/h)	97	140	118
Gradeability % @ 15 t G.V.W.	31	21	25

Type: ZF 9S-75 TD

Axle ratios available	5,326	4,82	5,72
Geared speed (km/h)	100	111	93
Gradeability % @ 15 t G.V.W.	57	50	62

CLUTCH

Type	Single plate, diaphragm spring, pull type.
Diameter	14" (350 mm)
	Asbestos free.

BRAKES

Type	2 independent pneumatic circuits
Service	A.B.S. + E.B.L.
Front axle	Drums. 381 mm diam x 178 mm width
Friction area front	2800 cm ²
Rear axle	Drums. 381 mm diam x 178 mm width
Friction area rear	2800 cm ²
Parking	Mechanical with spring cylinder, rear.
Emergency	Combined with parking brake.
Air reservoirs	2 x 15 litres, steel
Engine brake	Standard exhaust brake
Air compressor	225 cc - single cylinder
Air dryer	Air Processing Unit

CAB INTERIOR

Day cab

Forward control cab. Fabric three way adjustable driver seat, dual fixed passenger seat. Overhead lockers with doors, Windowless rear wall with document net. Glove box. Four speed fan, air flow 500 m³/hr, 10 Kw. All gauges monitored using international symbols. Electronic tachograph for two drivers,. Fully adjustable steering column. Column mounted control stalks. Overhead console for radio and CB. Courtesy and map reading lights.

Sleeper cab

As per day cab plus: a lower bunk, storage box under bunk, reading light and bed module for controlling cab lights, electric windows, roof hatch.

CAB EXTERIOR

Day and sleeper cab

Pressed steel construction with SMC for vulnerable parts. Suspension: helical springs and dampers. Hydraulic manual tilt to 60 degrees. Rear view mirrors according to CEE 88/321.

CHASSIS

Ladder construction. Pressed steel side members and riveted and bolted cross members.

Wheelbases (mm)

3105 - 3690
4185 - 5175

Height (mm) x width (mm)

274,5 x 80
277,9 x 80