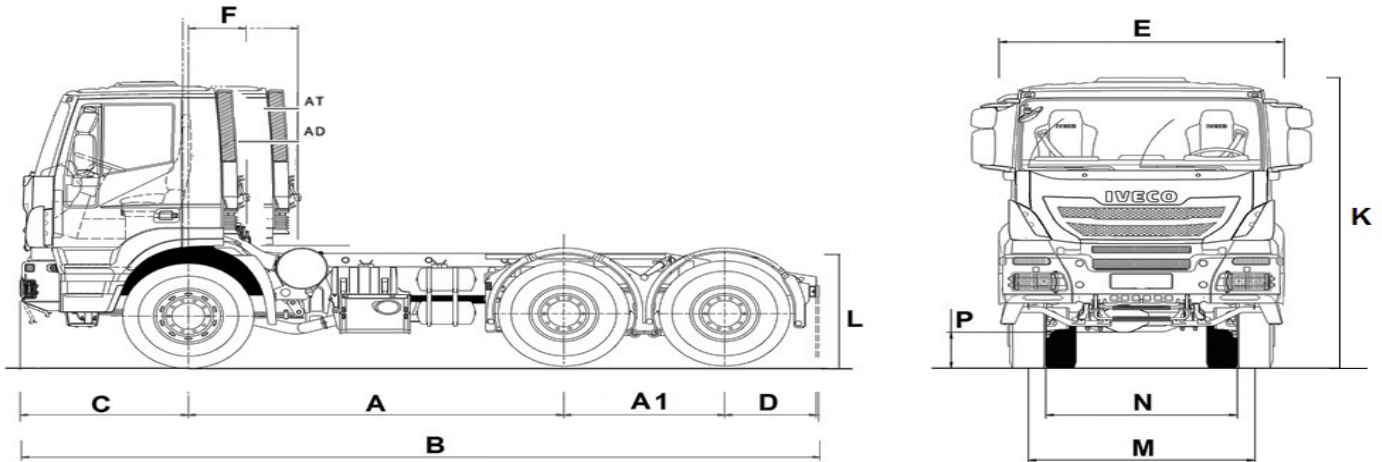


## TRAKKER

AD/AT 720T42 TH Euro III

Tractor 6x4



WEIGHTS (kg.)	G.V.W.*	G.C.W.*	Front axle	Tandem
Design weights (std.)	33.000	70.000	8.000	26.000
Design weights (opt.)	40.000	130.000	7.500 - 8.500 (*) - 9.000	32.000 (**)
* According to the markets and the homologations				
(*) 8.500 kg. on front axle with 26.000 kg. on tandem only in combination with option tyres (code 20885)				
(**) 32.000 kg. on tandem only with 9.000 kg. on front axle and option tyres (code 20013 - 20022)				

KERBWEIGHTS (kg.) cab / wb.	Short cab*	3.200	3.500
Front axle		4.785	4.810
Tandem		4.845	4.860
Total		9.630	9.670
PAYLOAD (kg.) @ G.C.W. 70 t.		60.370	60.330
* Active Day (AD) version			

DIMENSIONS (mm)			
A	Wheelbase	3.200	3.500
A1	Tandem	1.380	1.380
B	Overall length (over bumpers)	6.844	7.159
C	Front overhang	1.440	1.440
D	Rear overhang	785	785
E	Cab width over wings	2.550	2.550
F	Front axle to back of cab AD	300	300
K	Cab height (unladen)*	3.108	3.108
L	Frame height at rear frame end	1.094	1.094
	Fifth wheel height**	[1.324 - 1.274]	[1.324 - 1.274]
	Frame thickness	10,0	10,0
	Turning circle (wall to wall)	15.950	16.650
M	Front track	2.040	2.040
N	Rear track	1.827	1.827
P	Ground clearance (front)	337	337
	Ground clearance (rear)	310	310
* Low roof standard			
** It depends on how much is loaded the vehicle			

TYRES & WHEELS	Tyre code	Mission	Tyre dimensions		Wheel dimensions	
			Front	Rear	Front	Rear
Standard	20079	C	13 R 22,5	13 R 22,5	22,5x9,00	22,5x9,00
Option	20790	C	315/80 R 22,5	315/80 R 22,5	22,5x9,00	22,5x9,00
Option	20497*	C	12 R 20	12 R 20	20,0x8,50	20,0x8,50
Option	20885	D	385/65 R 22,5	315/80 R 22,5	22,5x11,75	22,5x9,00
Option	20013 - 20022	C - D	325/95 R 24	325/95 R 24	24,0x8,50	24,0x8,50
Option	20764	C	12 R 24	12 R 24	24,0x8,50	24,0x8,50

Tyre mission code: A=long distance; B=regional; C=all use; D=mix/off road

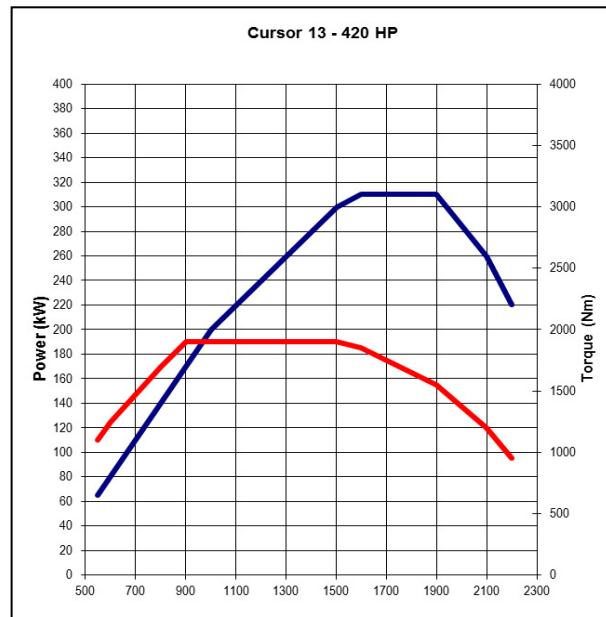
\* Only in combination with 7.500 kg. on front axle

NOTE: Weights are to standard specification and include water, oils, tool box, jack and 75 kg. driver. Kerb weights are subject to a manufacturing tolerance of +/- 5%. Long cab adds +110 kg. (95 on front, 15 kg. on rear). Medium Roof on Long Cab adds +230 kg.



## AD/AT 720T42 TH Euro III

<b>ENGINE</b>	<b>Iveco Cursor 13 (F3BEE681V*B)</b>
Turbocharger	Waste Gate + CEB
Cylinders in line	6
Bore (mm)	135
Stroke (mm)	150
Capacity (litres)	12,88
Max power (HP/kW)	420/309
@ rpm	1900
Max torque (Nm/Kgm)	1900/194
@ rpm	1000
Engine brake power	295 Kw @ 2400 rpm
Cooling system	Water
Fuel system	Unit pump injector
Speed limiter	90kmh



### GEARBOXES

	MECHANICAL 16S 2220 TO		AUTOMATED 16AS 2630 TO	
Ratios				
1st	13,80		1st	14,12
2nd	11,54		2nd	11,68
3rd	9,49		3rd	9,54
4th	7,93		4th	7,89
5th	6,53		5th	6,52
6th	5,46		6th	5,39
7th	4,57		7th	4,57
8th	3,82		8th	3,78
9th	3,02		9th	3,09
10th	2,53		10th	2,56
11th	2,08		11th	2,09
12th	1,74		12th	1,73
13th	1,43		13th	1,43
14th	1,20		14th	1,18
15th	1,00		15th	1,00
16th	0,84		16th	0,83
Rev 1	12,92		Rev 1	13,07
Rev 2	10,80		Rev 2	10,81

### PERFORMANCE

<b>Type: ZF 16 S 2220 TO</b>		(with standard tyres)			
Axle ratios available	<b>4,227</b>	4,67	5,01	5,56	6,096
Geared speed (km/h)	<b>109</b>	99	92	83	76
Gradeability % @ 44 t G.C.W.	<b>56</b>	65	72	85	100
Gradeability % @ 60 t G.C.W.	<b>38</b>	43	47	54	60

<b>Type: ZF 16 AS 2630 TO</b>		(with standard tyres)			
Axle ratios available	<b>4,67</b>	4,227	5,01	5,56	6,096
Geared speed (km/h)	<b>100</b>	111	93	84	77
Gradeability % @ 44 t G.C.W.	<b>67</b>	58	74	89	100
Gradeability % @ 60 t G.C.W.	<b>44</b>	39	48	55	62

### CLUTCH

Type	Single dry plate, pull type.
Diameter	17 inches/430 mm

### BRAKES

Type	2 independent pneumatic circuits
Service	A.B.S. + E.B.L.
Front axle (disc brake opt.)	Disc brakes. 432 mm Friction area: 784 cm <sup>2</sup>
Front axle (drum brake opt.)	Drum brakes. 410 mm
with option tyres (code 20764 - 20497)	Friction area: 2884 cm <sup>2</sup>
Tandem	Drum brakes. 410 mm Friction area: 3220 cm <sup>2</sup>
Parking	Mechanical with spring cylinder, rear.
Emergency	Combined with parking brake.
Air reservoirs	5 x 20 litres, steel
Air compressor	352cc – single cylinder
Heated air dryer	Air Processing Unit
Trailer connections	15 pin plug

### ELECTRICS

Tension	24v negative earth return
Alternator	28v, 90A
Starter	24v, 5.5kW
Batteries	2 x 12v, 170Ah
Circuits protected	By fuse
System	Multiplex - CAN line data bus

### SUSPENSIONS

Front	Parabolic spring
Rear	Semielliptical spring
Anti roll bar	Front and rear
Shock absorbers	2 on front

### STEERING

Type ZF 8098	Power assisted
Steering wheel diameter	510 mm

### AXLES

Steering with single wheels (disc opt.)	Iveco 5886/D. Rigid.
Steering with single wheels (drum opt.)	Iveco 5886/2D. Rigid.
Drive with twin wheels	453291/2D. Hub reduction.

### FUEL TANK

Type and capacity	300lt., steel, filter, fuel pump, prefilter.
-------------------	--

### CAB INTERIOR

#### Active Time

Interior incorporating, air suspended 3-way adjustable driver's seat, inertia reel belt. Passenger seat 2 way adjustable with inertia reel belt. Soft feel dashboard with multi-functional steering wheel incorporating touch button menu controls for the real time digital dash display. Dual scale speedometer. All gauge functions monitored using international symbols. Heater. Left and right hand entry assist handles. Pneumatic adjustable steering column, 2 column mounted control stalks, left stalk operating the indicators, main beam, windscreen wash wipe, (if provided) right stalk operating Eurotronic 2 gear change, engine brake, cruise control and variable speed limiter. If provided, on the left of the steering column there is the dash mounted Eurotronic gearbox controls D - N - R mode (forward and reverse). Overhead console for CB radio. Courtesy and map reading lights. Electronic PTO switch and in cab preparation. Expansio Module. Fabric trim cab interior. Single low level bunk with under bunk storage, bottle holder & storage and control panel.

#### Active Day

As above without bunk & under storage, with rear bulk head storage & writing pad.

### CAB EXTERIOR

#### Active Time

Forward control cab. Galvanised pressed steel construction, with SMC for vulnerable parts. Helical spring suspension and dampers. Hydraulic cab tilt to 60 deg. Tinted electric door windows and tinted laminated screen. Manual rear-view mirrors plus kerb and wideangle mirrors, according to 2003/97/EC. Blind rear cab panel. External stowage for tools. Steel front bumper.

#### Active Day

As above without external stowage.

### CHASSIS

Ladder construction. Pressed steel side members and riveted and bolted cross members. (C section)

Wheelbase

3.200 - 3.500

Height (mm) x width (mm):

289x80

NOTE: The information in this literature is intended to be of a general nature only. Iveco reserves the right to modify or change specification at any time.