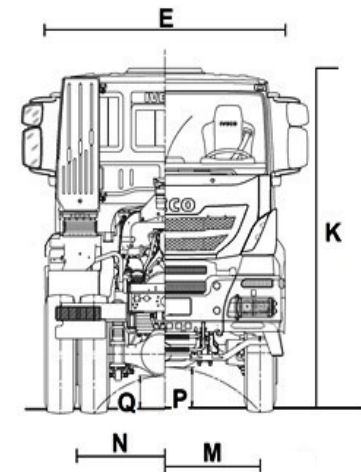
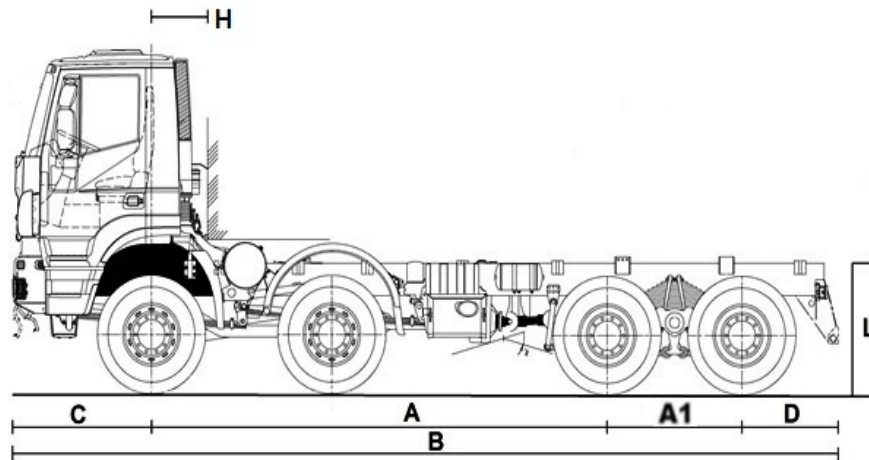


## IVECO TRAKKER

AD 410T44 WH Euro III

Rigid 8x8



WEIGHTS (kg.)	G.V.W.*	G.C.W.*	First axle	Second axle	Tandem
Design weights (std.)	41.000	44.500	8.000	8.000	26.000
Design weights (opt.)	44.000	70.000	8.500 - 9.000 (*)	8.500 - 9.000 (*)	18000 (**)
* According to the markets and the homologations					
(*) 8.500 - 9.000 kg. with 8.500 - 9.000 kg. on second axle and 26.000 kg. on tandem only in combination with option tyres (code 20885)					
(**) 18.000 kg. only in combination with 9.000 kg. on first axle, 9.000 kg. on second axle and optional tyres (code 20780)					

KERBWEIGHTS (kg.) cab / wb.	4.750	5.020
First and second axles	7.715	7.730
Tandem	4.245	4.260
Total	11.960	11.990
PAYLOAD (kg.) @ G.V.W. 41 t.	29.040	29.010

DIMENSIONS (mm)		4.750	5.020
A	Wheelbase	4.750	5.020
A1	Tandem	1.400	1.400
B	Overall length (over bumpers)	8.582	8.852
C	Front overhang	1.440	1.440
D	Rear overhang	855	855
E	Cab width over wings	2.550	2.550
H	Front axle to front of body	585	585
K	Cab height (unladen)*	3.334	3.334
L	Frame height at rear frame end	1.256	1.257
	Frame thickness	10,0	10,0
	Turning circle (wall to wall)	21.750	21.750
M	Front track	1.981	1.981
N	Rear track	1.827	1.827
P	Ground clearance (front)	380	380
	Ground clearance (rear)	310	310

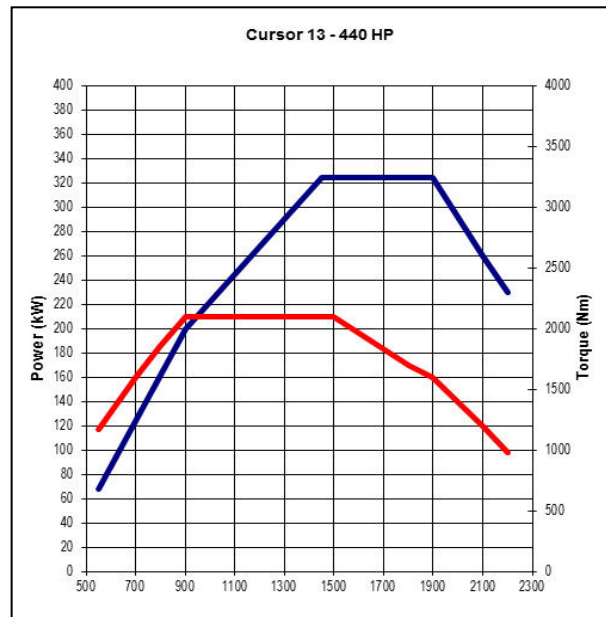
TYRES & WHEELS	Tyre code	Mission	Tyre dimensions		Wheel dimensions	
			Front	Rear	Front	Rear
Standard	20079	C	13 R 22,5	13 R 22,5	22,5x9,00	22,5x9,00
Option	20790	C	315/80 R 22,5	315/80 R 22,5	22,5x9,00	22,5x9,00
Option	20885	D	385/65 R 22,5	315/80 R 22,5	22,5x11,75	22,5x9,00
Option	20780	C	14 R 20	14 R 20 single	20,0x10,00	20,0x10,00

Tyre mission code: A=long distance; B=regional; C=all use; D=mix/off road

# IVECO

## AD 410T44 WH Euro III

<b>ENGINE</b>	<b>Iveco Cursor 13 (F3BEE681C*B)</b>
Turbocharger	Variable Geometry Turbine
Cylinders in line	6
Bore (mm)	135
Stroke (mm)	150
Capacity (litres)	12,88
Max power (HP/kW)	440/324
@ rpm	1900
Max torque (Nm/Kgm)	2100/214
@ rpm	1000
Engine brake power	306 Kw @ 2400 rpm
Cooling system	Water
Fuel system	Unit pump injector
Speed limiter	90kmh



### GEARBOXES

Ratios	MECHANICAL 16S 2220 TO		EUROTRONIC 16AS 2630 TO	
	1st	13,80	1st	14,12
2nd	11,54	2nd	11,68	
3rd	9,49	3rd	9,54	
4th	7,93	4th	7,89	
5th	6,53	5th	6,52	
6th	5,46	6th	5,39	
7th	4,57	7th	4,56	
8th	3,82	8th	3,78	
9th	3,02	9th	3,09	
10th	2,53	10th	2,56	
11th	2,08	11th	2,09	
12th	1,74	12th	1,73	
13th	1,43	13th	1,43	
14th	1,20	14th	1,18	
15th	1,00	15th	1,00	
16th	0,84	16th	0,83	
Rev 1	12,92	Rev 1	13,07	
Rev 2	10,80	Rev 2	10,81	

### ELECTRICS

Tension	24v negative earth return
Alternator	28v, 90A
Starter	24v, 5.5kW
Batteries	2 x 12v, 170Ah
Circuits protected	By fuse
System	Multiplex - CAN line data bus

### SUSPENSIONS

Front	Parabolic spring
Rear	Semielliptical suspension
Anti roll bar	Front and rear
Shock absorbers	2 on front

### STEERING

Type ZF 8098	Power assisted
Steering wheel diameter	470 mm

### AXLES

Steering with single wheels	Iveco 5985/2D. Rigid, hub reduction
Second axle	Iveco 5985/2D. Rigid, hub reduction
Tandem	453291/2D. Rigid, hub reduction

### PERFORMANCE

<b>Type: 16S 2220 TO</b>	(with standard tyres)				
Axle ratios available	<b>4,67</b>	4,227	5,01	5,56	6,096
Geared speed (km/h)	<b>99</b>	109	92	83	76
Gradeability % @ 40 t G.C.W.	<b>80</b>	69	91	100	100
Gradeability % @ 44 t G.C.W.	<b>69</b>	60	77	92	100

<b>Type: 16AS 2630 TO</b>	(with standard tyres)				
Axle ratios available	<b>5,01</b>	4,227	4,67	5,56	6,096
Geared speed (km/h)	<b>93</b>	111	100	84	77
Gradeability % @ 40 t G.C.W.	<b>95</b>	71	83	100	100
Gradeability % @ 44 t G.C.W.	<b>80</b>	62	71	96	100

### CLUTCH

Type	Single dry plate, pull type.
Diameter	17 inches/430 mm

### BRAKES

Type	2 independent pneumatic circuits
Service	A.B.S. + E.B.L.
First axle	Drum brakes. 410 mm Friction area: 2884 cm2
Second axle	Drum brakes. 410 mm Friction area: 2884 cm2
Tandem	Drum brakes. 410 mm Friction area: 3220 cm2
Parking	Mechanical with spring cylinder, rear.
Emergency	Combined with parking brake.
Air reservoirs	6 x 20 litres, steel
Air compressor	352cc - single cylinder
Heated air dryer	Air Processing Unit
Trailer connections	15 pin plug

### TRANSFER BOX

Type	TC 2200 - gearbox independent.
Ratio	On road: 1/1 - Off Road: 1/1,60.
Torque distribution	Front 1 / Rear 2,2

### FUEL TANK

Type and capacity	300lt., steel, filter, fuel pump, prefilter.
-------------------	--

### CAB INTERIOR

**Active Day**  
Interior incorporating, air suspended 3-way adjustable driver's seat, inertia reel belt. Passenger seat 2 way adjustable with inertia reel belt. Soft feel dashboard with multi-functional steering wheel incorporating touch button menu controls for the real time digital dash display. Dual scale speedometer. All gauge functions monitored using international symbols. Heater. Left and right hand entry assist handles. Pneumatic adjustable steering column, 2 column mounted control stalks, left stalk operating the indicators, main beam, windscreen wash wipe, (if provided) right stalk operating Eurotronic 2 gear change, engine brake, cruise control and variable speed limiter. If provided, on the left of the steering column there is the dash mounted Eurotronic gearbox controls D - N - R mode (forward and reverse). Overhead console for CB radio. Courtesy and map reading lights. Electronic PTO switch and in cab preparation. Expansio Module. Fabric trim cab interior. Rear bulk head storage with writing pad.

### CAB EXTERIOR

**Active Day**  
Forward control cab. Galvanised pressed steel construction, with SMC for vulnerable parts. Helical spring suspension and dampers. Hydraulic cab tilt to 60 deg. Tinted electric door windows and tinted laminated screen. Manual rear-view mirrors plus kerb and wideangle mirrors, according to 2003/97/EC. Blind rear cab panel. Steel front bumper.

### CHASSIS

Ladder construction. Pressed steel side members and riveted and bolted cross members. (C section)

<b>Wheelbase</b>	<b>Height (mm) x width (mm):</b>
4.750 - 5.020	289x80

NOTE: The information in this literature is intended to be of a general nature only. Iveco reserves the right to modify or change specification at any time.