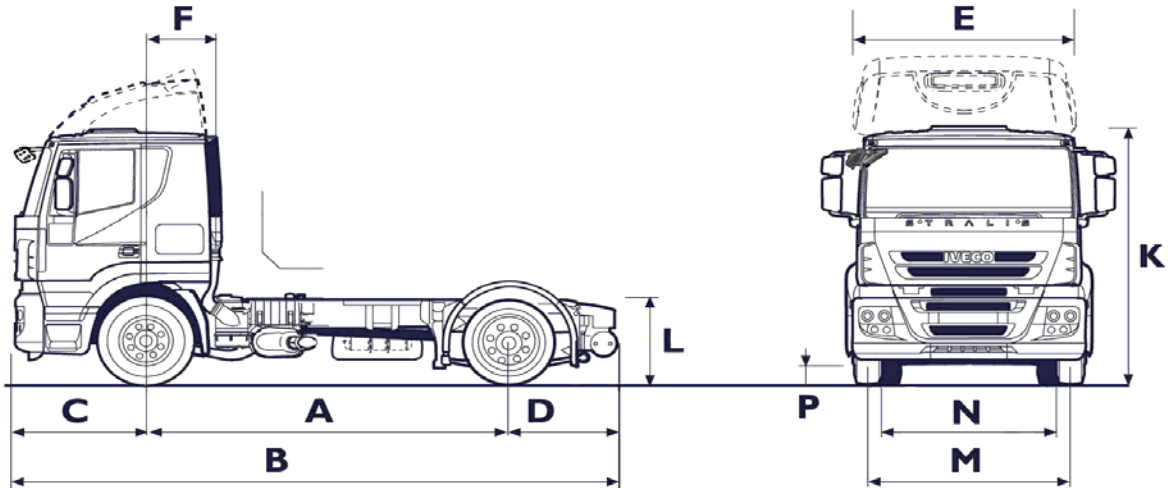


IVECO STRALIS

ACTIVE *time*
ACTIVE *day*

AD / AT 440S43 T/P HR

Tractor 4x2



PLATED / DESIGN WEIGHTS (kg.)		G.V.W.	G.C.W.	1st axle	2nd axle
Plated weights		18000	40000	7100	12600
Design weights		19000	44000	7100	12600

KERBWEIGHTS (kg.) cab / wb.		Day	3650	3800	Sleeper	3650	3800
Front axle			4620	4630		4715	4725
Second axle			1930	1940		1945	1955
Total			6550	6570		6660	6680
PAYLOAD (kg.) @ Plated G.C.W.			33450	33430		33340	33320

DIMENSIONS (mm)		Day	3650	3800	Sleeper	3650	3800
A	Wheelbase						
B	Overall length (over bumpers)		6070	6250		6070	6250
C	Front overhang		1410	1410		1410	1410
D	Rear overhang		1047,5	1047,5		1047,5	1047,5
E	Cab width		2550	2550		2550	2550
F	Front axle to end of cab	day	500	500			
		sleeper			940	940	
G	Back of cab to end of frame	day	4558	5233			
		sleeper			3758	3908	
I	Fifth wheel position	day	580	610			
		sleeper					
K	Cab height (unladen)		2985	2985		570	580
L	Frame height at rear axle		982	982		2985	2985
	Frame thickness		7,7	7,7		982	982
	Turning circle (wall to wall)		14230	14730		7,7	7,7
M	Front track		2049	2049		14230	14730
N	Rear track		1818	1818		2049	2049
P	Ground clearance (front)		217	217		1818	1818
	Ground clearance (rear)		214	214		217	217
						214	214

TYRES & WHEELS	Tyre code	Mission	Tyre dimensions		Wheel dimensions	
			Front	Rear	Front	Rear
Standard	20498	C	295/80 R 22,5	295/80 R 22,5	22.5x8.25	22.5x8.25
Option	20030	C	315/80 R 22,5	315/80 R 22,5	22.5x9.00	22.5x9.00

Tyre mission code: B = regional; C = all use; D = mix/off road

NOTE: Weights are to standard specification and include water, oils, tool box, jack and 75 kg. driver. Kerb weights are subject to a manufacturing tolerance of +/- 5%. Sleeper cab adds +110 kg. (95 on front, 15 kg. on rear). Medium Roof on Sleeper Cab adds +230 kg. and H=625 mm. Automated gearbox reduces -45 kg.

IVECO

STRALIS

AD / AT 440S43 T/P HR

ENGINE	Iveco Cursor 10 F3AEE681D*B
Turbocharger	Variable Geometry Turbine
Cylinders in line	6
Bore (mm)	125
Stroke (mm)	140
Capacity (litres)	10,3
Max power (HP/kW)	430/294
@ rpm	1590-2100
Max torque (Nm/mKg)	1900/194
@ rpm	1050-1590
E.E.C. emissions regulation	Euro 3
R.Q.V.	All speed
Cooling fan	Electro-magnetic
Fuel system	Unit injector system
Speed limiter	90km/h
Cruise control	Driver programmable
Air admission / Filter type	Rear cab snorkel / dry - Horizontal

GEARBOXES	EUROTRONIC		MECHANICAL	
	Ratios	12AS2330 TO	16S2220 TO	
	1st	12,33	13,80	
	2nd	9,57	11,28	
	3rd	7,44	9,49	
	4th	5,87	7,76	
	5th	4,57	6,53	
	6th	3,47	5,43	
	7th	2,70	4,57	
	8th	2,10	3,59	
	9th	1,63	3,02	
	10th	1,29	2,47	
	11th	1,00	2,08	
	12th	0,78	1,70	
	13th		1,43	
	14th		1,19	
	15th		1,00	
	16th		0,84	
	Rev	11,41	8,88	12,92 10,8

PERFORMANCE (with standard tyres)

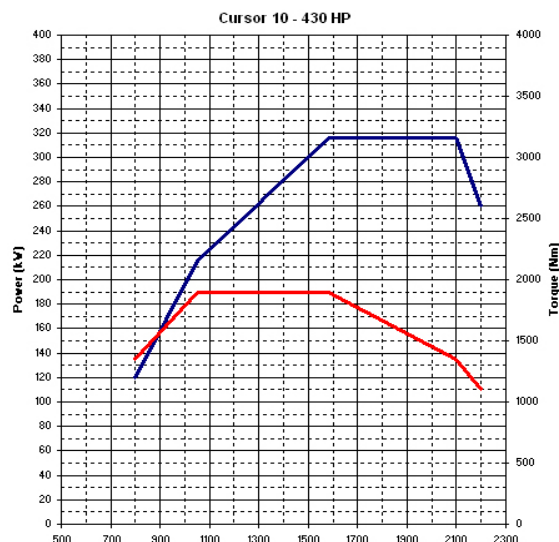
Type: ZF 12 AS 2330 TO		
Axle ratios available	3,79	4,23
Geared speed (km/h)	136	122
Gradeability % @ 18 t G.V.W.	100	100
Gradeability % @ 40 t G.C.W.	38	43
Type: ZF 16 S 2220 TO		
Axle ratios available	3,79	4,23
Geared speed (km/h)	126	113
Gradeability % @ 18 t G.V.W.	100	100
Gradeability % @ 40 t G.C.W.	44	50

CLUTCH

Type	Single plate, diaphragm spring, pull type.
Diameter (mm)	(17") 430 mm

BRAKES

Type	2 independent pneumatic circuits
Service	E.B.S.
Front axle	Ventilated discs. 432 mm Friction area: 784 cm ²
Rear axles	Duo-duplex drums. Dia.:410x200mm Friction area: 3220 cm ²
Parking	Mechanical with spring cylinder, drive axle.
Emergency	Combined with parking brake.
Air reservoirs	2 x 20 litres + 1 x 30 litres, steel
Engine - Iveco Turbo Brake	Decompression.
Air compressor	352cc - single cylinder
Heated air dryer	Air Processing Unit
Trailer connections as option	7+7 pin plug as alternative 15 pin



ELECTRICS

Tension	24v negative earth return
Alternator	28v, 90A
Starter	24v, 5.5kW
Batteries	2 x 12v, 170Ah
Circuits protected	By fuse
System	Multiplex - CAN line data bus

SUSPENSIONS

Front	Parabolic leaf.
Rear	Pneumatic, 4 air bellows (ECAS)
Anti roll bar	Front and rear axle
Shock absorbers	2 on front, 2 on rear

STEERING

Type	ZF 8098. Power assisted
Steering wheel diameter	470 mm

AXLES

Steering with single wheels	Iveco 5876. Rigid.
Drive with twin wheels	Iveco 451391/1 - Hub reduction.
Differential lock	Cross axle.
Rear axle ratio	See Performances.

FUEL TANK

Type and capacity	300lt., alluminum with lockable fuel cap.
-------------------	---

CAB INTERIOR

Active Time

Interior incorporating, air suspended 3-way adjustable driver's seat, inertia reel belt. Passenger seat 2 way adjustable with inertia reel belt. Soft feel dashboard with multi-functional steering wheel incorporating touch button menu controls for the real time digital dash display. Dual scale speedometer. All gauge functions monitored using international symbols. Heater. Left and right hand entry assist handles. Pneumatic adjustable steering column, 2 column mounted control stalks, left stalk operating the indicators, main beam, windscreen wash wipe, (if provided) right stalk operating Eurotronic 2 gear change, engine brake, cruise control and variable speed limiter. If provided, right of the steering column is the dash mounted Eurotronic gearbox controls for automatic and semi-automatic modes, neutral, reverse and low speed manoeuvring mode (forward and reverse). Overhead console for CB radio. Courtesy and map reading lights. Electronic PTO switch and in cab preparation. Fabric trim cab interior. Single low level bunk with under bunk storage, bottle holder & storage and control panel.

Active Day

As above without bunk & under storage, with rear bulk head storage & writing pad.

CAB EXTERIOR

Active Time

Forward control cab. Galvanised pressed steel construction, with SMC for vulnerable parts. Helical spring suspension and dampers. Hydraulic cab tilt to 60 deg. Tinted electric door windows and tinted laminated screen. Manual rear-view mirrors plus kerb and wideangle mirrors, according to 2003/97/EC. Blind rear cab panel. External stowage for tools. Plastic front bumper.

Active Day

As above without external stowage.

CHASSIS

Type	Ladder construction. Pressed steel side members and riveted and bolted cross members.
Side member length (mm)	304,4
Flange width (mm)	80