



P2209281

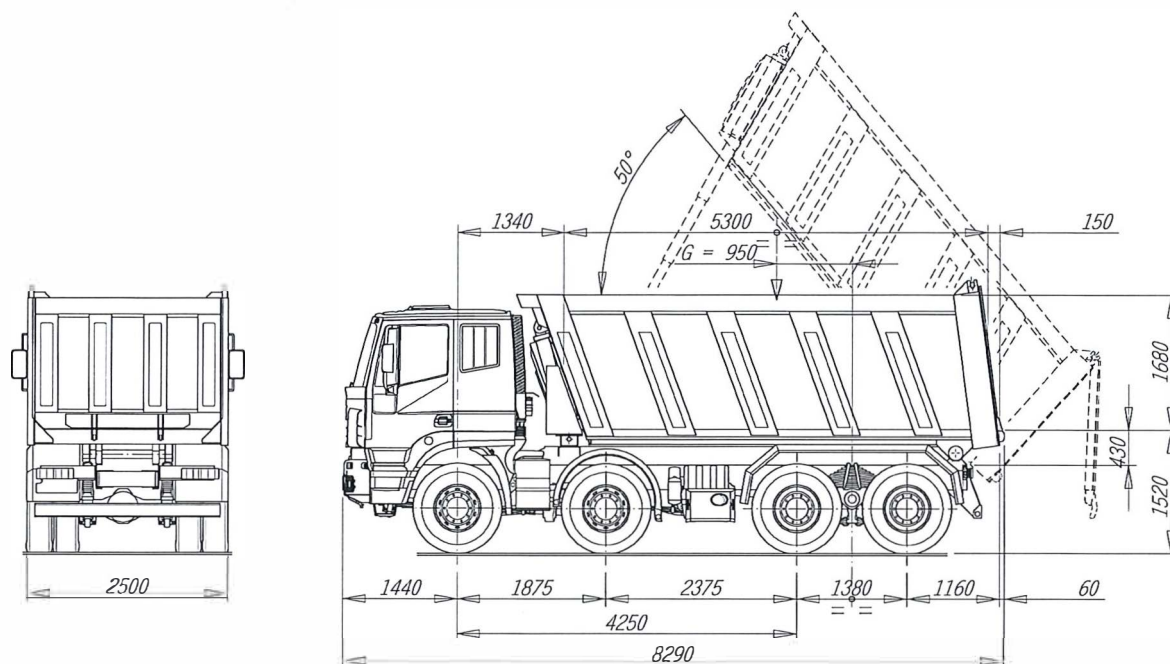
CANTONI & C
BOFFALORA-T. (MI) ITALY

REAR TIPPER

TRAKKER AT410T

IVECO

01630325



TECHNICAL DATA

“ CE ”

LIFTING :

- Frontal telescopic cylinder.
- Pneumatic, modulated body descent control.
- Safety cable at the end of lifting.
- Stabiliser bar.
- Tipping time: 30 sec

SUBFRAME :

- Side frame in bent steel sheet.
- Anti-torsion cross-member in the back side.
- Mixed type frame fixing (front screws with springs).

DUMP-BODY :

- Capacity, 20 cu.m.
- Inside dimensions, 5140 x 2300 mm
- Structure in bent steel sheet.
- Body floor in antiabrasion steel (HB 450), thickness 8 mm
- Boards in antiabrasion steel (HB 400), thickness 5 mm
- Front board equipped with cab protection roof and spare wheel holder.
- Fixed sideboards.
- Rear board with automatic unhooking device.

WEIGHTS (kg)

Dump body	4800
Net weight of the dump truck	15800
Payload	24200
G.V.W	40000

- Dimensions and weights are not binding and may undergo variations.