

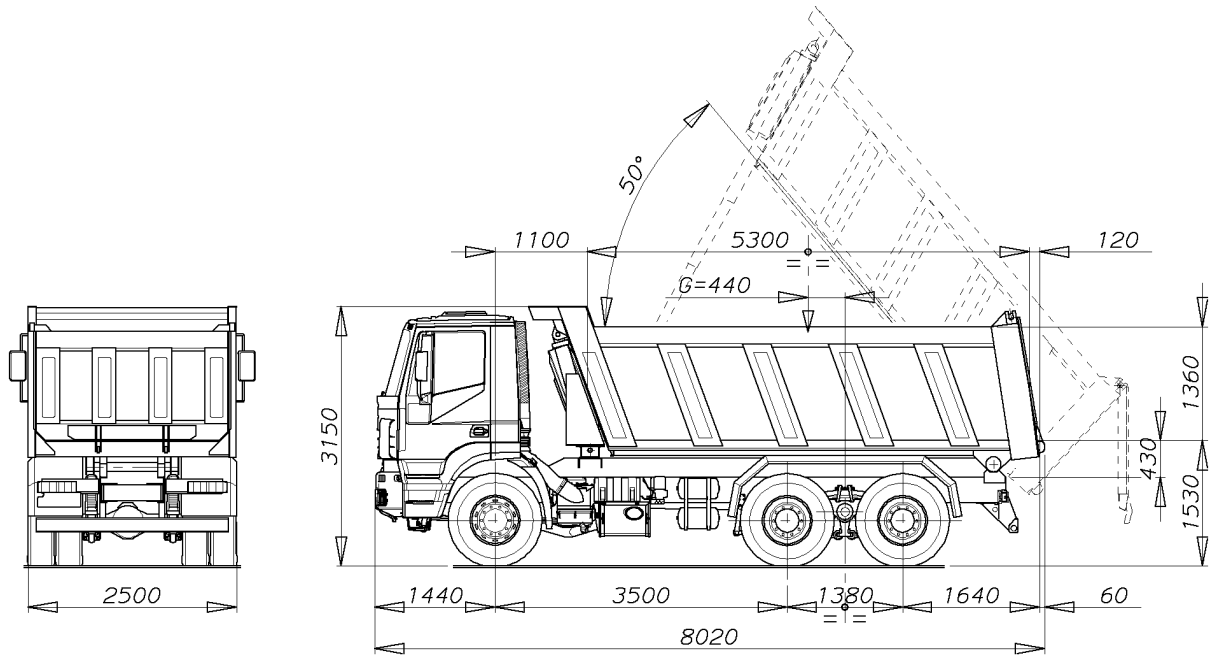


CANTONI & C

**REAR TIPPER
TRAKKER AD380T**

IVECO

01530416



TECHNICAL DATA

LIFTING : - Frontal telescopic cylinder.
 - Pneumatic, modulated body descent control.
 - Safety cable at the end of lifting.
 - Stabiliser bar.
 - Tipping time: 30 sec

SUBFRAME : - Side frame in bent steel sheet.
 - Anti-torsion cross-member in the back side.
 - Mixed type frame fixing (front screws with springs).

DUMP-BODY : - Capacity, 16 cu.m.
 - Inside dimensions, 5140 x 2310 mm
 - Structure in bent steel sheet.
 - Body floor in antiabrasion steel (HB 450), thickness 8 mm
 - Boards in antiabrasion steel (HB 400), thickness 5 mm
 - Front board equipped with cab protection roof and spare wheel holder.
 - Fixed sideboards.
 - Rear board with automatic unhooking device.

WEIGHTS (kg)	Total	1° Axle	2°+3° Axle
Dump body	4600	660	3940
Net weight of the dump truck	14500	5660	8840
Payload	18500	1940	16560
G.V.W.....	33000	7600	25400
Max allowed weights (Front/Rear)		8000	26000

- Dimensions and weights are not binding and may undergo variations.