

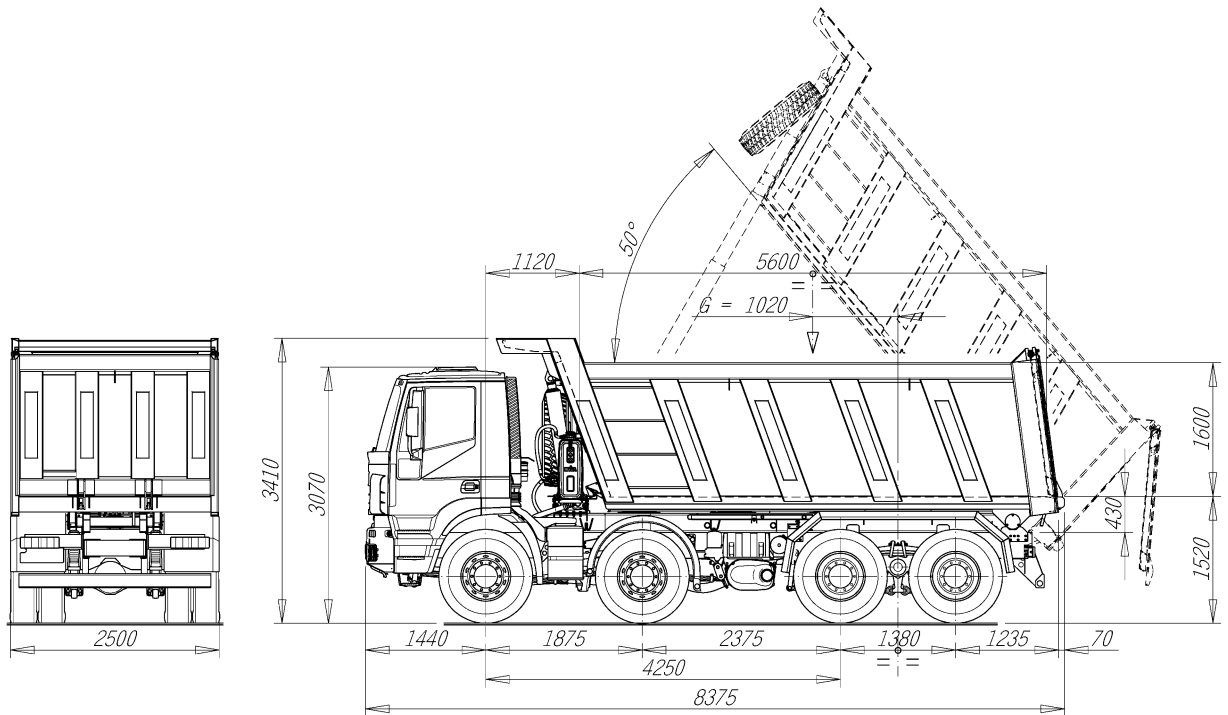


CANTONI & C

**REAR TIPPER
TRAKKER AD410T42H**

IVECO

01631032



TECHNICAL DATA

- LIFTING** : - Frontal telescopic cylinder.
 - Pneumatic, modulated body descent control.
 - Safety cable at the end of lifting.
 - Stabiliser bar.
 - Tipping time: 30 sec
- SUBFRAME** : - Side frame in bent steel sheet.
 - Anti-torsion cross-member in the back side.
 - Mixed type frame fixing (front screws with springs).
- DUMP-BODY** : - Capacity, 20 cu.m.
 - Inside dimensions, 5440 x 2300 mm
 - Structure in bent steel sheet.
 - Body floor in antiabrasion steel (HB 450), thickness 8 mm
 - Boards in antiabrasion steel (HB 400), thickness 5 mm
 - Front board equipped with cab protection roof and spare wheel holder.
 - Fixed sideboards.
 - Rear board with automatic unhooking device.

WEIGHTS (kg)

Dump body	5100
Net weight of the dump truck	16200
Payload	23800
G.V.W	41000

- Dimensions and weights are not binding and may undergo variations.