

DAILY

TECHNICAL DESCRIPTION Chassis Cab DAILY EURO 4 MY22



50C15/E4 MY

The information in this literature is intended to be of a general nature only. IVECO reserves the right to modify or change specification at any time. All images are for illustrative purposes only.

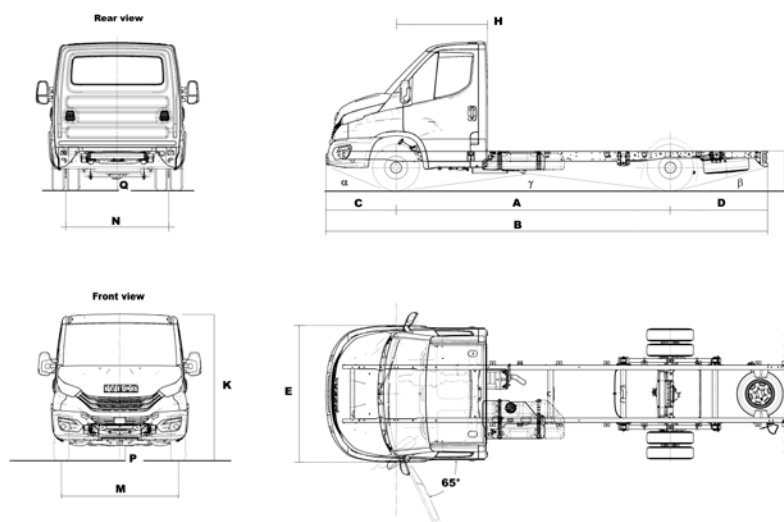
IVECO

Your partner for sustainable transport

LIST OF LINKED VCB

VCB code	Gearbox	Wheelbase	Cabin	Drive
BENBIBBI	2840.6 OD	3450	LSTS	LH
BENBIEBI	2840.6 OD	3750	LSTS	LH
BENBIHBI	2840.6 OD	4100	LSTS	LH
BENBINBI	2840.6 OD	4350	LSTS	LH
BENBIPBI	2840.6 OD	4750	LSTS	LH

DIMENSIONS & WEIGHTS



DIMENSIONS (mm)

	3450	3750	4100	4350	4750
Wheelbase (A)	3450	3750	4100	4350	4750
Overall length (over rear underrun protection) (B)	5989	6599	6999	7419	8284
Max width over wings (cab) (E)	2052	2052	2052	2052	2052
Front axle to front of body (F)	1355	1355	1355	1355	1355
Frame height at end of frame unladen (L) with Quad-Tor	758	765	763	765	771
Frame height at front axle, unladen (Quad-Tor)	578	577	576	575	574
Frame height at rear axle, unladen (Quad-Tor)	707	707	707	707	705
Front overhang (C)	1048	1048	1048	1048	1048
Rear overhang (D)	1491	1801	1851	2021	2486
Minimum ground clearance (front) (P) (Quad-Tor)	197	197	197	197	197
Minimum ground clearance (rear) (Q) (Quad-Tor)	162	162	162	162	162
Overall height to top of cab unladen (K) with Quad-Tor	2218	2213	2208	2205	2201
Turning diameter kerb to kerb (Quad-Tor)	12744	13466	14564	15348	16604
Turning diameter wall to wall (Quad-Tor)	13366	14090	15190	15976	17234
Front track (C1)	1724	1724	1724	1724	1724
Rear track (C2)	1542	1542	1542	1542	1542
Approach angle α (°) (Quad-Tor)	18	18	18	18	18
Departure angle β (°) (Quad-Tor)	12	10	9	9	8
Ramp angle γ (°) (Quad-tor)	18	16	15	14	13
Side members thickness	4	4	4	4	4
Side members max height	182	182	182	182	182
Side members flange width	70	70	70	70	70
Frame width at rear	862	862	862	862	862

WEIGHTS (KG)

Wheelbase	3450	3750	4100	4350	4750
Total vehicle kerbweight (Torsion bars)	2197	2207	2230	2243	2270
Kerbweight on Front Axle (Torsion bars)	1445	1453	1480	1492	1504
Kerbweight on Rear Axle (Torsion bars)	752	754	750	751	766
G.V.W. (EC)	5200	5200	5200	5200	5200
Plated weight on front axle (EC) (Torsion bars)	2100	2100	2100	2100	2100
Plated weight on rear axle (EC)	3700	3700	3700	3700	3700
Trailer weight (inertia brake)	3500	3500	3500	3500	3500
Max body & Payload (EC) (Torsion bars)	3003	2993	2970	2957	2930

Note:

The "Total vehicle kerbweight" considers the minimum kerbweight with minimum optionals and it represents the Mass in Running order as defined by 1230/2012 M&D regulation.

Wheelbase	Type	Drawing
3450	Left hand drive	5803218310
3750	Left hand drive	5803218311
4100	Left hand drive	5803218312
4350	Left hand drive	5803218313
4750	Left hand drive	5803218314

MODEL COMPONENTS

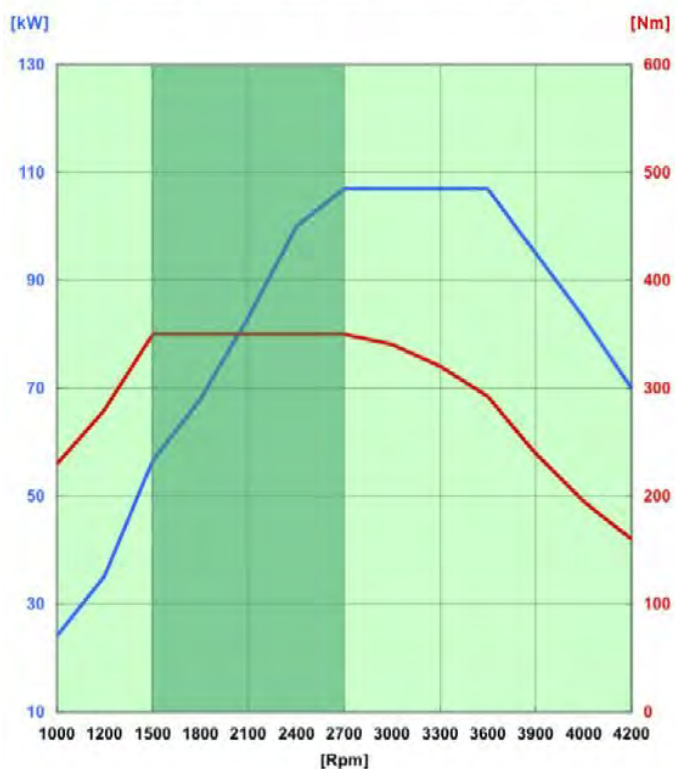
ENGINE

Identification Code	FICE3481J
Position	FRONT
Manufacturer	FICE3481J - FPT Industrial
Commercial name	-
Arrangement	LONGITUDINAL
Cycle	DIESEL
Aspiration type	TC+AFTERCOOLER
Injection type	Unijet common rail - 16 valves
4 Stroke / 2 Stroke cycle	4
No. of cylinders	4
Cylinders layout	IN-LINE
Bore mm	95.8
Stroke mm	104
Total displacement cm ³	2998
Compression ratio	17.5:1
Exhaust gas treatment	EGR
Efficiency engine and driveline	DIESEL OIL
Injection system	HIGH PRESSURE / COMMON RAIL
Injection governor type	EDC
Cold starting type	GLOW PLUGS
Emissions control	EURO3 / EURO4
Speed limiter (Km/h)	90
Cruise control	programmable
Engine brake power (kW)	/
Engine brake power (HP)	/
Engine brake (rpm)	/
Cooling system	water
Fan type	electromagnetic
Air intake	AT FRONT, UNDER BONNET
Filter type	DRY

Notes: EGR (Exhaust Gas Recirculation) is controlled by an electric valve managed by ECU engine and it is made by a cooler with more efficiency than the previous device and by a new mixer. More efficiency means a better heat exchange, a greater quantity of gas recirculation (with partial load on the accelerator pedal, too) and a more stable behaviour in time. The mixer has been enhanced to guarantee that gas recirculation distribution is homogeneous in the four engine cylinders.

MODEL COMPONENTS

3.0 HPI - 146 HP E4



I46EU4 - Motore FIC WG I46cv Euro4 LD

Maximum power: 107 kW (146 HP) @ 3500 rpm

Maximum torque: null Kgm (350 Nm) @ 1500 rpm

DRIVELINE

GEARBOX

Gearbox model	Installation	Dry weight Kg	Max input torque Nm	No. of forward gears	No. of reverse gears				
2840.6 OD	ENGINE FLANGED	58	350	6	1				

GEAR RATIOS

Gearbox model	1st	2nd	3rd	4th	5th	6th	rev. 1st										
2840.6 OD	5.375	3.154	2.041	1.365	1	0.791	4.838										

CLUTCH

Gearbox model	Outer diameter (inches)	Release control				
2840.6 OD	11	HYDRAULIC				

REAR AXLE RATIO

Option code **00003** *

Ratio **4.44**

*: Standard axle ratio

TYRES & WHEELS

Code	Tyres	Front	Rear	Load index	Rolling circumference m
20661	Standard	195/75R16	195/75R16	110/108	2.117
20533	Optional	195/75R16	195/75R16	110/108	2.117
20664	Optional	195/75R16	195/75R16	110/108	2.117
20668	Optional	195/75R16	195/75R16	110/108	2.117

AXLES

Position	Description
Rear	450511 - Iveco S.R. rear axle

Note: Front axle: independent wheels.

MODEL COMPONENTS

PERFORMANCE

* Max Speed. Calculated speed on the basis of engine rpm and axle ratios. Real speed limits must take into account the speed index of the tyres: K = 110 km / h L = 120 km / h M = 130 km / h

** Theoretically calculated values, arising from the engine torque without considering the road-friction values and the stability limits of the vehicles. When calculating with more than one tyres or more than one axle ratio, availability of each combination must be checked.

Speed and gradeability values are rounded.

A = Total Weights (solo vehicle) Kg - Max Gradeability %

B = Total Weights (vehicle+trailer) Kg - Max Gradeability %

Tyre: 20661 - 195/75R16 IC 110/108 2120/4000 Efficiency: 0.93 No transfer box

Gearbox model 2840.6 OD

Axle Ratio	Gear Ratio 1°	Gear Ratio 6°	Speed km/h 1°	Speed km/h 6°	RPM at 80 km/h	RPM at 90 km/h	A		B	
							5200		8700	
							1°	6°	1°	6°
4.44	5.375	0.791	18.63	126.58	2212	2488	49.66	5.23	27.27	2.84

MODEL COMPONENTS

CABIN



CAB EXTERIOR

Steps on both sides, front bumper in three pieces, mudguard.

Rear mirrors

for models from 3.5 to 5.0 tons standard max body width = 2200 mm
for models from 3.5 to 5.0 tons with opt. 73024 : max body width = 2350 mm
for models from 3.5 to 5.0 tons with new opt. 73025 : max body width = 2550 mm
for models from 6.5 to 7.0 tons standard max body width = 2350 mm
for models from 6.5 to 7.0 tons with opt. 73021 : max body width = 2200 mm
for models from 6.5 to 7.0 tons with new opt. 73025 : max body width = 2550 mm

Anti-corrosion protection includes full cataphoretic dipping with galvanized boxed sections and strategic use of zinc plated panels in vulnerable areas. Protective under seal for all under body cabin area, wheel housing and engine area.

CAB INTERIOR

Equipment: Storage compartments with bottle holder, pool cup for mobile phone, arm rests on the doors, shelves in overhead console (opt 8628), shelves at floor level below seats, interior lights, 2 spotlights, 4 loud-speakers, gearshift lever on dashboard. No. of seats places: 2 or 3 std (depending on passenger seat option, single or bench)

Driver's seat: First LCV vehicle with Memory Foam technology. Improved comfort with full seats in memory foam +50% softness and adaptation to body shape. Improved size also for taller sizes (standard on all models).

Passenger's seat: For models from 35S standard passenger seat depends on market offer.
For models from 35C.. up to 70C.. - standard: 2 passengers bench with 3 points safe belts, with drawer under seat.

Central console: Glove box compartments on the top of the dashboard, central panel, adjustable air vents, ash-trays,+ lighter (opt 5407 smoker kit) , heating control, cooled compartment (present with opt. air conditioning).

Instrument cluster: 5" TFT display & silver dial rings (opt 72623 km/h, opt 72624 miles/h).

On Dashboard: Digital Radio (opt 79245) or Hi-Connect infotainment system as option (opt 72800 w/o Navigation, opt 72802 extra EU maps)

Indicator lamps, on cluster (standard):

Parking brake - Brakes failure - Directions indicators - Generic failure - Seat belts not fastened - Fog lights - High beams - Wing lights -External lights failure - Rear fog light(s) - Open doors - Fuel gauge - Tachograph failure - Coolant temperature - EOBD - Water in fuel filter
- Clogged air filter - Clogged fuel filter.

MODEL COMPONENTS

Multifunction stalks:

Left stalk contains following commands:

Left direction indicator, High beam / Low beam - Headlamp flash, Auto light command (when present option 72839)

Right stalk contains following commands:

Windscreen wipers, auto wipers command (when present option 72841), headlight washers (when present opt 2558), queue assist (when present opt 72803)

Steering wheel:

Multifunctions steering wheel (depending on vehicle configuration):

The steering wheel contains up to 20 switches: 16 on the front and 4 on the rear.

Dedicated commands for Cruise Control (opt 2463), Additional Speed Limiter (opt 5925) on steering wheel when present.

(The equipment can vary according to the markets / homologations; for a complete list of Daily options please contact local Iveco distributor. The images shown here are for illustrative purposes only)

SUSPENSIONS

Front:

independent suspensions – **QUAD TOR**: incorporating torsion bars with antiroll bars.

Two shock absorbers.

Rear:

Semielliptical multi leaf spring (7 leaves) standard.

Semielliptical multi leaf spring with helper (7 + 6 leaves) option 6094

BATTERY

Electrics

Batteries capacity V/Ah

12 V / 110 Ah

MAIN TECHNICAL FEATURES AND NOVELTIES

MAIN NOVELTIES:

New manual Gear Box 2840.6

MAIN OPT AVAILABILITY (check availability on model)

Automatic wipers and headlights – opt 72841

The Automatic wipers, automatically activates the wipers and adjust the frequency, depending on the quantity of water on the surface of the windscreen. The Automatic headlights automatically activates the low-beam, depending on the quantity of light during the 24 hours; the sensor is able also to manage situation such as passing under bridges, tunnels.

Automatic High Beam Control (AHBC) – opt 72839

can automatically turns your vehicle's high beam lights off / on, depending on driving conditions. It is available in combination with front camera of LDWS.

Lane Departure Warning System (LDWS) - opt 2912

camera supplies the steering system with information on lane geometry, and calculates the torque to be applied to the steering wheel.

Full LED headlights – opt 72619

Integrated direction lamp.

The vehicle configuration must always be confirmed by the Iveco sales network.

MISCELLANEOUS

TFT Cluster - opt 72623 [Km/h] or 72624 [mph]

Main functions: oil, battery, service info. Navigation.

Phone - multimedia, Fuel economy, trip computer, vehicle settings,

display settings, diagnostic.

The **three pieces bumper**, standard on all Daily models, allows reduction of ownership costs, giving the possibility to replace only t

he required piece instead of the whole bumper.

The vehicle configuration must always be confirmed by the Iveco sales network.

SYSTEM ESP 9

35S - 38S

Disc diameter (mm) Front	300
Disc diameter (mm) Rear	296
Braking surface (cm2) Front	280
Braking surface (cm2) Rear	200

42S

Disc diameter (mm) Front	295
--------------------------	-----

MODEL COMPONENTS

Disc diameter (mm) Rear	294
Braking surface (cm2) Front	320
Braking surface (cm2) Rear	264

42C - 50C

Disc diameter (mm) Front	290
Disc diameter (mm) Rear	289
Braking surface (cm2) Front	280
Braking surface (cm2) Rear	278

60C - 72C

Disc diameter (mm) Front	301
Disc diameter (mm) Rear	306
Braking surface (cm2) Front	404
Braking surface (cm2) Rear	276

35C Quad Leaf

Disc diameter (mm) Front	300
Disc diameter (mm) Rear	294
Braking surface (cm2) Front	280
Braking surface (cm2) Rear	264

35C Quad Tor

Disc diameter (mm) Front	290
Disc diameter (mm) Rear	294
Braking surface (cm2) Front	280
Braking surface (cm2) Rear	264

BRAKING SYSTEM FEATURES

Dual circuit configuration; cross split on 35S up to 72C.
Hydraulically operated with vacuum servo assistance.
Full disc brakes with floating calipers with auto wear adjustment.
Mechanically controlled parking brake:
Brake fluid level indicator-front / rear pad wear indicator.
Asbestos free pads.
EASY interface.



Notes:

ESP 9 system is standard for all the range. It is the latest evolution among the Electronic vehicle stability controls and is an advanced system for active and preventive safety in all weather and road conditions. Prevents the loss of vehicle control caused by:

- High speed
- Wrong evaluation of the road lay-out
- Sudden vehicle skid
- Trying to avoid an obstacle
- Sudden vehicle steering

ABS-Antilock Braking System: avoids wheel locking during the braking

EBD-Electronic Brakeforce Distribution: shares the brake force between the rear and front axle

ESP-Electronic Stability Program: brakes each wheel and controls the engine by reducing the number of revolutions if the vehicle becomes unstable

ASR-Anti Slip Regulator: acts on the engine and the brakes preventing the driving wheels from skidding

MSR(DTC)- Motor Schleppmomenten Regelung (Drag Torque Control): acts on engine speed to reduce the braking torque in release **HHC-Hill Hold Control:** acts on the braking pressure to hold the vehicle in up hill departure to assist the driver

LAC-Adaptive Load Control: recognizes the longitudinal load distribution

HRB-Hydraulic Rear Wheel Boost: in case of emergency braking, it boost the rear braking force, thus allowing a reduction in the vehicle stopping distance

HFC-Hydraulic Fading Compensation: the system is able to detect fading condition of the brakes and thus to increase the brake circuit pressure up to ABS intervention

RMI-Roll Movement Intervention: mitigate dangerous roll-over situations during highly dynamic driving, e.g. evasive maneuvers, J-turn, Fishhook

ROM-Roll Over Mitigation: extension of RMI by mitigation of rollover at quasi-stationary maneuvers, e.g. motorway exit.



IVECO

Your partner for sustainable transport