



CANTONI & C

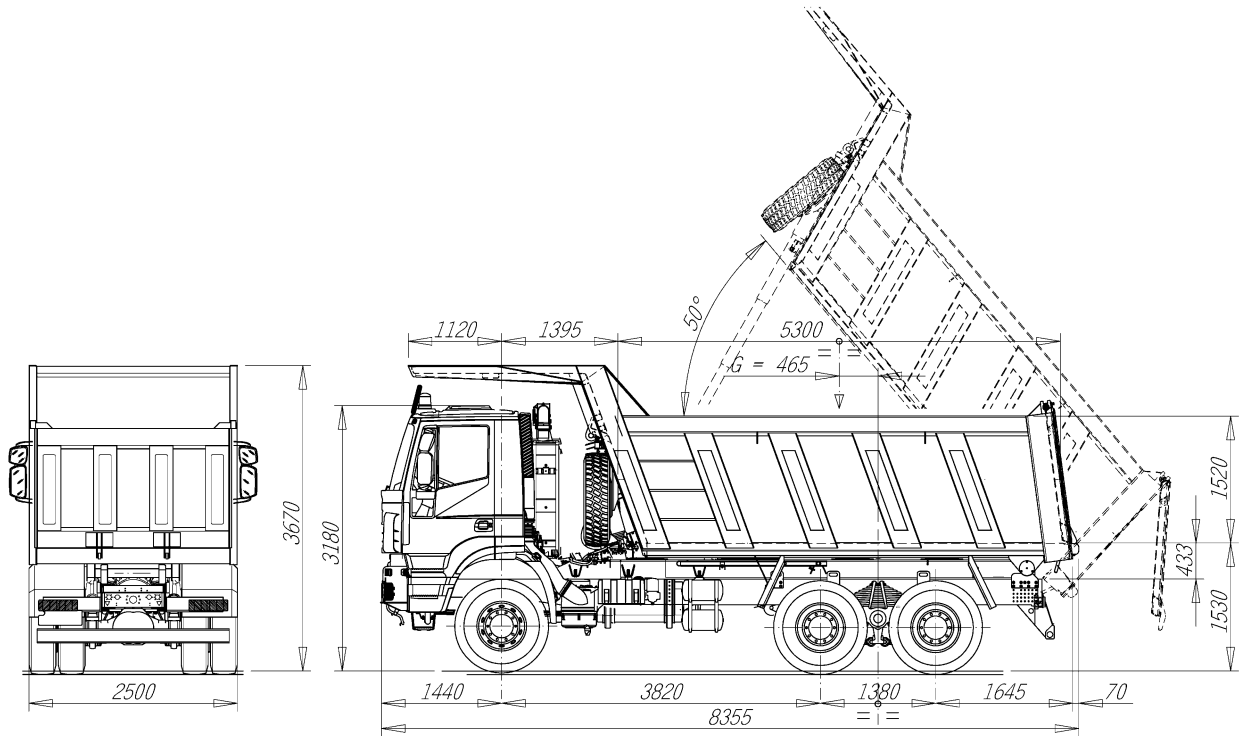
REAR TIPPER

TRAKKER

AD380T41

IVECO

01531411



TECHNICAL DATA



- LIFTING** : - Frontal telescopic cylinder.
 - Pneumatic, modulated body descent control.
 - Safety cable at the end of lifting.
 - Tipping time: 30 sec
- SUBFRAME** : - Side frame in bent steel sheet.
 - Anti-torsion cross-member in the back side.
 - Mixed type frame fixing (front screws with springs).
- DUMP-BODY** : - Capacity, 18 cu.m.
 - Inside dimensions, 5140 x 2300 mm
 - Structure in bent steel sheet.
 - Body floor in antiabrasion steel (HB 450), thickness 8 mm
 - Boards in antiabrasion steel (HB 400), thickness 5 mm
 - Front board equipped with cab protection roof and spare wheel holder.
 - Fixed sideboards.
 - Rear board with automatic unhooking device.

MASSE (kg)	Tot.	1°Axle	2°+3° Axle
Dump body	5400	700	4700
Net weight of the dump truck	14900	5300	9600
Payload	18100	1900	16200
G.V.W	33000	7200	25800
Max. allowed weights	8000	8000	26000

- Dimensions and weights are not binding and may undergo variations.