

TRAKKER

TECHNICAL DESCRIPTION M.Y. 2013 EXTRA EUROPE EURO 3



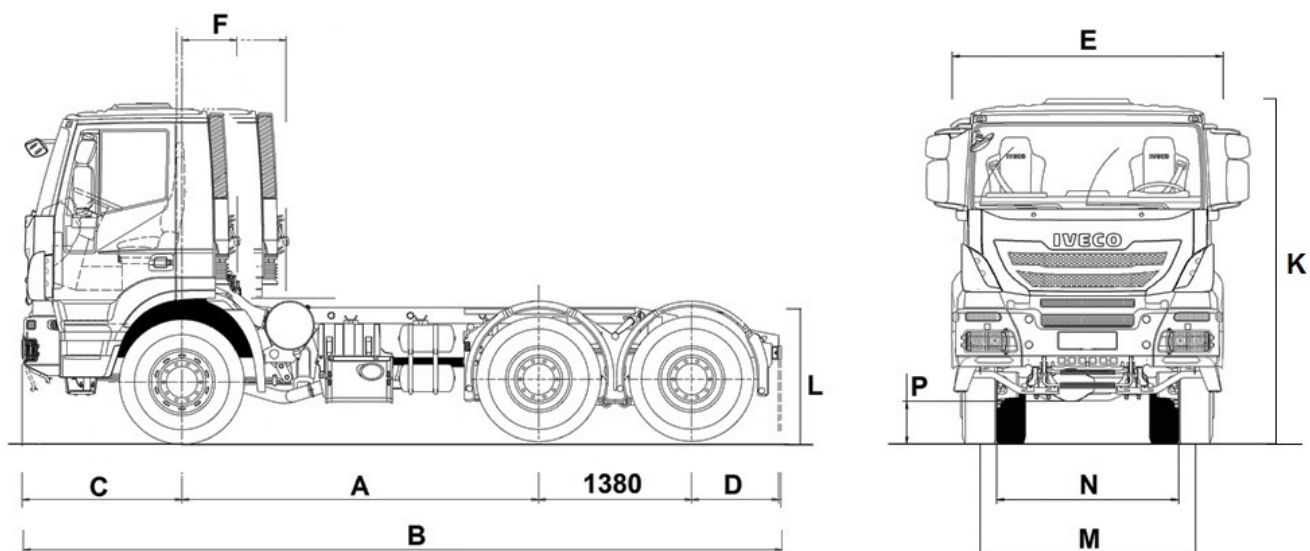
AD720T44T H - ARTIC WORLD 6x4

IVECO

LIST OF LINKED VCB

VCB code	Gearbox	Wheelbase	Cabin	Drive
VUCC21B1	I6S 2220 TO	3200	AD-MY SX	LH
VUCC21B3	I6S 2220 TO	3200	AD-MY SX	LH
VUCC21BA	I6S 2220 TO	3200	AD-MY DX	RH
VUCC21BC	I6S 2220 TO	3200	AD-MY DX	RH
VUCC21D1	I6AS 2630 TO	3200	AD-MY SX	LH
VUCC21D3	I6AS 2630 TO	3200	AD-MY SX	LH
VUCC21DA	I6AS 2630 TO	3200	AD-MY DX	RH
VUCC21DC	I6AS 2630 TO	3200	AD-MY DX	RH
VUCC22B1	I6S 2220 TO	3500	AD-MY SX	LH
VUCC22B3	I6S 2220 TO	3500	AD-MY SX	LH
VUCC22BA	I6S 2220 TO	3500	AD-MY DX	RH
VUCC22BC	I6S 2220 TO	3500	AD-MY DX	RH
VUCC22D1	I6AS 2630 TO	3500	AD-MY SX	LH
VUCC22D3	I6AS 2630 TO	3500	AD-MY SX	LH
VUCC22DA	I6AS 2630 TO	3500	AD-MY DX	RH
VUCC22DC	I6AS 2630 TO	3500	AD-MY DX	RH

DIMENSIONS & WEIGHTS



DIMENSIONS (MM)

Wheelbase (A)	3200	1380	3500	1380
Max length (B)	6844		7159	
Max width over wings (cab) (E)	2550		2550	
Front axle to back of cab (F)	300		300	
Frame height at end of frame, unladen (L)	1094		1094	
Frame height at front axle, unladen	1131		1131	
Frame height at rear axle, unladen	1104		1104	
Front overhang (C)	1440		1440	
Rear overhang (D)	785		785	
Minimum ground clearance (front) (P)	337		337	
Minimum ground clearance (rear) (Q)	310		310	
Overall height to top of cab, unladen (K)	3108		3108	
Turning diameter kerb to kerb	14800		15500	
Turning diameter wall to wall	15950		16650	
Front track (M)	2040		2040	
Rear track (N)	1827		1827	
Side members thickness	10		10	
Side members max height	309		309	
Side members flange width	80		80	
Frame width at rear	776		776	

WEIGHTS (KG)

Wheelbase	3200 1380	3500 1380
Total vehicle kerb weight	9630	9670
Kerbweight on Front Axle	4785	4810
Kerbweight on Rear Axles	4845	4860
G.V.W. (Design)	33000	33000
Plated weight on axle 1 (Design)	8000	8000
Plated weight on axle 2 (Design)	13000	13000
Plated weight on axle 3 (Design)	13000	13000
Max body & payload (Design)	23370	23330

Notes :

Weights are to standard configuration and include: chassis cab (or the tractor), driver (75 kg), full fuel tank, Adblue (if present), tools kit and spare wheel (if present).

The height of the side member includes the thickness as well.

The values of the plated weights / GVW can vary according to the markets and the homologations.

Wheelbase	Type	Drawing
3200 1380	Left hand drive	41841337
3500 1380	Left hand drive	41841338
3200 1380	Right hand drive	41841337
3500 1380	Right hand drive	41841338
3200 1380	Day cab frame	41803913
3500 1380	Day cab frame	41804517

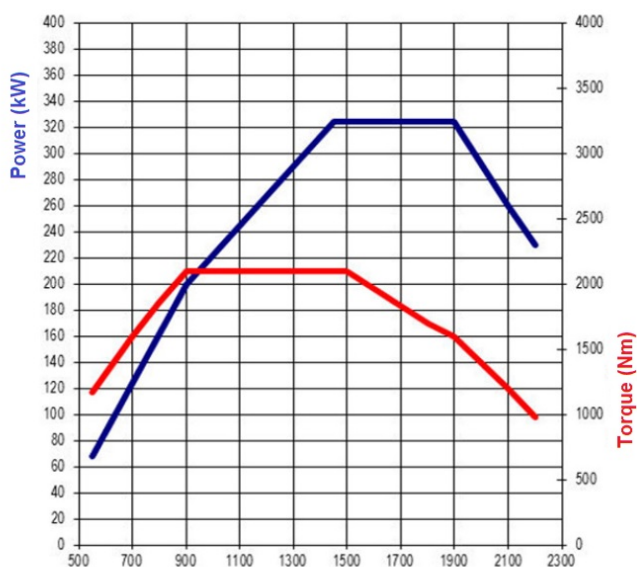
MODEL COMPONENTS

ENGINE

Commercial name	CURSOR 13 - F3B
Position	FRONT
Cycle	DIESEL
Aspiration type	TC+INTERCOOLER
Injection type	UNIT INJECTOR
4 Stroke / 2 Stroke cycle	4
No. of cylinders	6
Cylinders layout	IN-LINE
Bore mm	135
Stroke mm	150
Total displacement cm ³	12880
Weight (without oil / water) Kg	1117
Oil capacity (Kg)	31
Bearings	7
Injection governor type	EDC
Cold starting type	THERMOSTARTER
Hydraulic steering pump	YES
Emissions control	EURO3
Cooling system	water
Fan type	electromagnetic
Air intake	WITH SNORKEL
Snorkel position	BEHIND THE CAB ON THE LEFT
Filter type	DRY

DRIVELINE

Cursor 13 - 440 HP



440 E3 - CURSOR13 440 CV E3 (E4 DERIV)

Maximum power: 324 kW (440 HP) @ 1900 rpm

Maximum torque: 234 Kgm (2100 Nm) @ 900 rpm

The central electronic system controls the following functions:

. Engine preheating, fuel preheating, VGT, injection control, engine brake, control of engine speed and torque, data exchange OBD with ScanTool, engine diagnostic (on- and off-board), control of blink-code and failure indicator light on dashboard, control of engine idling speed and max. engine speed, data exchange with VCM (vehicle control module), supervision of emission values.

MODEL COMPONENTS

GEARBOX

Gearbox model	Gearbox Type	Installation	Box material	Total ratio speed	Dry weight Kg	Clutch type	Max input torque Nm	No. of forward gears	No. of reverse gears
16AS 2630 TO	AUTOMATED	ENGINE FLANGED	ALUMINIUM ALLOY	17.01	268	Electrical-air (semiautom.)	2600	16	2
16S 2220 TO	SYNCRONIZED	ENGINE FLANGED	ALUMINIUM ALLOY		306 - (w/o retarder)	Dry clutch	2200	16	2

GEAR RATIOS

Gearbox model	1st	2nd	3rd	4th	5th	6th	7th	8th	9th	10th	11th	12th	13th	14th	15th	16th	rev. 1st	rev. 2nd
16AS 2630 TO	14.12	11.68	9.54	7.89	6.52	5.39	4.57	3.78	3.09	2.56	2.09	1.73	1.43	1.18	1	.83	13.07	10.81
16S 2220 TO	13.8	11.54	9.49	7.93	6.53	5.46	4.57	3.82	3.02	2.53	2.08	1.74	1.43	1.2	1.00	.84	12.92	10.8

CLUTCH

Gearbox model	Type	Outer diameter mm	Outer diameter (inches)
16AS 2630 TO	Single dry plate	430	17
16S 2220 TO	Single dry plate	430	17

REAR AXLE RATIO

Option code	05003	06017 *	06019 *	06021	06032	06034	06036
Ratio	6.096	4.227	4.67	5.01	3.792	5.56	6.57

*: Standard axle ratio

TYRES & WHEELS

Code	Tyres	Front	Rear	Dynamic Radius m	Rolling resistance Coefficient	Load index	Speed index	Rolling circumference m
20079	Standard	13R22,5	13R22,5	.543	.0072	156/150	K = 110 KM/H	3.41
20764	Optional	12,00R24	12,00R24	.595	.005	156/153	G = 90 KM/H	3.737
20885	Optional	385/65R22,5	315/80R22,5	.522	.006	156/150	K = 110 KM/H	3.278
20795	Optional	315/80R22,5	315/80R22,5	.522	.006	156/150	L = 120 KM/H	3.278
20497	Optional	12,00R20	12,00R20	.545	.005	154/149	K = 110 KM/H	3.422
20790	Optional	315/80R22,5	315/80R22,5	.522	.006	156/150	L = 120 KM/H	3.282
20081	Optional	13R22,5	13R22,5	.54	.007	156/150	G = 90 KM/H	3.428

AXLES

Position	Description
Front	5886/2D - Iveco Axle (Drum brake D.D.)
Front	5886/D - Iveco axle (Disc brake SB7)
Rear	453291/2D - Tandem H.R. (Drum brake 2D)

As an alternative: front axle with disc brakes or drum brakes.

Braking system : Service brake: air - No. of circuits: 2 - Air dryer - ABS / EBL (Electronic brake limitation) - Auxiliary brake / Engine brake: decompression engine brake - Emergency brake: combined with parking brake - Parking brake: mechanical with spring cylinder - Parking brake axle: rear axle - Air compressor: single cylinder - Air compressor displacement cm³ 352 - Number of air tanks: 5 x 20 - Total tank capacity (l): 100

Brakes type with disc on front axle: Disc diameter (mm): 432 - friction area (cm²) 784

Brakes type with drum on rear axle: Drum diameter (mm): 410 - friction area (cm²) 3220

MODEL COMPONENTS

PERFORMANCE

* Max Speed. Calculated speed on the basis of engine rpm and axle ratios. Real speed limits must take into account the speed index of the tyres: K = 110 km / h L = 120 km / h M = 130 km / h

** Theoretically calculated values, arising from the engine torque without considering the road-friction values and the stability limits of the vehicles. When calculating with more than one tyres or more than one axle ratio, availability of each combination must be checked.

Speed and gradeability values are rounded.

A = Total Weights (solo vehicle) Kg - Max Gradeability %

B = Total Weights (vehicle+trailer) Kg - Max Gradeability %

Tyre: 20079 - TYRES 13R22.5 - 156/- MIXED USE - G/J Efficiency: 0.91 No transfer box

Gearbox model 16AS 2630 TO

Axle Ratio	Gear Ratio 1°	Gear Ratio 16°	Speed km/h 1°	Speed km/h 16°	RPM at 80 km/h	RPM at 90 km/h	A				B			
							24000		28000		44000		60000	
							1°	16°	1°	16°	1°	16°	1°	16°
4.227	14.12	0.83	6.51	110.80	1371	1542	100.00	4.26	100.00	3.54	54.63	1.99	37.32	1.27
4.67	14.12	0.83	5.90	100.29	1515	1704	100.00	4.86	100.00	4.06	62.57	2.32	41.98	1.51
5.01	14.12	0.83	5.50	93.49	1625	1828	100.00	5.31	100.00	4.45	69.30	2.57	45.72	1.69
5.56	14.12	0.83	4.95	84.24	1803	2029	100.00	6.03	100.00	5.06	81.74	2.96	52.12	1.98
6.096	14.12	0.83	4.52	76.83	1977	2225	100.00	6.73	100.00	5.66	96.55	3.34	58.89	2.25
6.57	14.12	0.83	4.19	71.29	2131	2397	100.00	7.34	100.00	6.18	100.00	3.67	65.42	2.50

Optional Weights

Axle Ratio	A				B			
	29000		37200					
	1°	16°	1°	16°	1°	16°	1°	16°
4.227	100.00	3.40	69.08	2.49				
4.67	100.00	3.89	80.85	2.88				
5.01	100.00	4.27	91.49	3.17				
5.56	100.00	4.86	100.00	3.63				
6.096	100.00	5.44	100.00	4.08				
6.57	100.00	5.94	100.00	4.47				

Gearbox model 16S 2220 TO

Axle Ratio	Gear Ratio 1°	Gear Ratio 16°	Speed km/h 1°	Speed km/h 16°	RPM at 80 km/h	RPM at 90 km/h	A				B			
							24000		28000		44000		60000	
							1°	16°	1°	16°	1°	16°	1°	16°
3.792	13.8	0.84	7.43	122.04	1245	1400	100.00	3.71	88.63	3.08	46.21	1.70	32.10	1.05
4.227	13.8	0.84	6.66	109.48	1388	1561	100.00	4.33	100.00	3.60	53.02	2.03	36.34	1.30
4.67	13.8	0.84	6.03	99.10	1533	1725	100.00	4.93	100.00	4.12	60.60	2.36	40.85	1.54
5.01	13.8	0.84	5.62	92.37	1645	1850	100.00	5.39	100.00	4.51	66.98	2.61	44.45	1.72
5.56	13.8	0.84	5.07	83.23	1825	2053	100.00	6.12	100.00	5.14	78.69	3.01	50.61	2.01
6.096	13.8	0.84	4.62	75.92	2001	2251	100.00	6.82	100.00	5.74	92.41	3.39	57.09	2.29
6.57	13.8	0.84	4.29	70.44	2157	2426	100.00	7.44	100.00	6.27	100.00	3.72	63.31	2.54

Optional Weights

Axle Ratio	A				B			
	29000		37200					
	1°	16°	1°	16°	1°	16°	1°	16°
3.792	83.32	2.95	57.34	2.14				
4.227	100.00	3.45	66.78	2.53				
4.67	100.00	3.96	77.85	2.92				
5.01	100.00	4.33	87.75	3.22				
5.56	100.00	4.94	100.00	3.69				
6.096	100.00	5.52	100.00	4.14				
6.57	100.00	6.03	100.00	4.54				

MODEL COMPONENTS

CABIN

Remarks:

Athermic windows.

Doors with fabric and plastic covering, storage compartments, bottle-holder, defrost system for door windows, arm rests;
 Corrosion protection, underseal and cavity sealing with wax.

No. of places: 1 (with medium roof) - 2 (with low roof)

Driver's seat:

Head rest, seat belts, fabric covering.

Passenger's seat (AT low roof only):

Fixed, 2 way adjustable (longitudinal +adjustable back), head rest, seat belts, fabric covering.

Roof panel:

Prearrangement for revolving roof lamp (opt. 2477) (AT low roof only).

Roof hatch (electrical control) with athermic glass (AT medium roof only).

Exterior equipment:

External storage box (on side wall) opened from inside, front bumper with steps, mudguard, front grille, front towing hook (removable), side spoilers as splash protection, mudflaps, external engine starter (when cab is tilted) including safety device, rear cab lighting (tractors only).

Floor:

Removable mats.

Interior equipment:

Adjustable steering column (pneumatic control), storage compartments, shelves in overhead console, shelves at floor level, interior lights, 2 spotlights (steps lighting), sun visor, flexible spotlight on side wall, curtains.

Interior equipment - prearrangement for:

Tachograph, loud-speaker, aerial, passenger seat (AT / medium roof), rack, additional air heater.

Central console:

can holders, small storage compartment, central panel, adjustable air vents, 2 ash-trays, lighter / 24 V, heating control / manually adjusted air conditioning system, compressed air socket for removing dust, 12 V socket, parking brake lever, holder for mobile telephone.

FRAMES

Wheelbase	3200	3500
Front crossmembers	BOLTED	BOLTED
Middle crossmember	RIVETED	RIVETED
Rear crossmember	BOLTED	BOLTED
Frame section	DOUBLE	DOUBLE
Section shape	"C"	"C"
Side members material	STEEL	STEEL

BATTERY

Electrics

Voltage V	24
Alternator power V/A	28 / 90
Starter power kW	5.5
No. of batteries	2
Batteries capacity V/Ah	12 / 170

MODEL COMPONENTS

DISC BRAKES

Brake system:

Service brake: air - No. of circuits: 2 - Air dryer - ABS / EBL (Electronic brake limitation) - Auxiliary brake / Engine brake: decompression engine brake - Emergency brake: combined with parking brake - Parking brake: mechanical with spring cylinder - Parking brake axle(s): rear axle(s) - Air compressor: single cylinder - Air compressor displacement cm³ 352 - Number of air tanks: 4 x 20 - Total tank capacity (l): 80

Brakes type with drum on front axle:

Drum diameter (mm): 410 - linings width (mm): 180 - brake cylinder diameter (sqin): 2 x 14 / 2 x 14 - friction area (cm²) 2884

Brakes type with drum on rear axle:

Drum diameter (mm): 410 - linings width (mm): 200 - brake cylinder diameter (sqin): 2 x 14 / 2 x 14 - friction area (cm²) 3220

MISCELLANEOUS

Fuelling:

Fuel tank: 300 litres, steel, filter, fuel pump, prefilter, fuel separator.

Steering:

Recirculating balls - power assisted.
Steering wheel diameter: 510 mm.
Steering wheel adjustment: height and inclination.
Steering wheel lock.

Engine compartment:

Sound-proof.



IVECO