



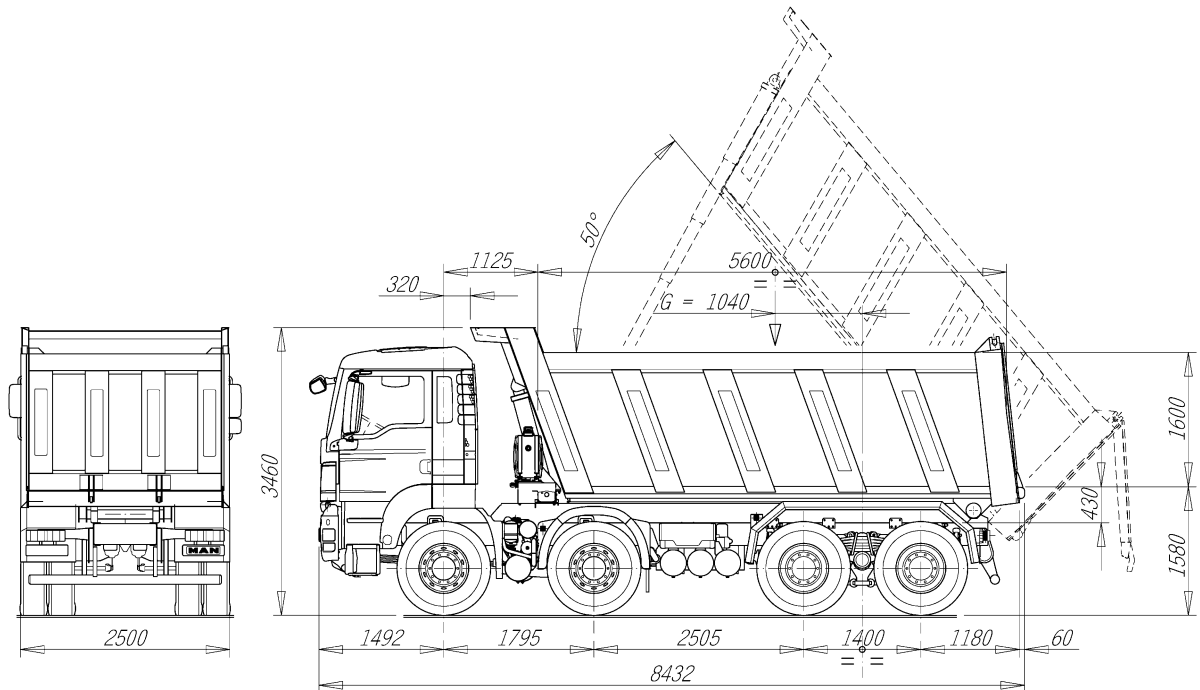
**CANTONI & C**

**REAR TIPPER**

**TGS 41.400**



10630302



**TECHNICAL DATA**



- LIFTING** : - Frontal telescopic cylinder.  
 - Pneumatic, modulated body descent control.  
 - Safety cable at the end of lifting.  
 - Stabiliser bar.  
 - Tipping time: 30 sec
- SUBFRAME** : - Side frame in bent steel sheet.  
 - Anti-torsion cross-member in the back side.  
 - Mixed type frame fixing (front screws with springs).
- DUMP-BODY** : - Capacity, 20 cu.m.  
 - Inside dimensions, 5440 x 2300 mm  
 - Structure in bent steel sheet.  
 - Body floor in antiabrasion steel (HB 450), thickness 8 mm  
 - Boards in antiabrasion steel (HB 400), thickness 5 mm  
 - Front board equipped with cab protection roof and spare wheel holder.  
 - Fixed sideboards.  
 - Rear board with automatic unhooking device.

MASSE (kg)	Tot.	1°+2°Axle	3°+4° Axle
Dump body .....	5200	1500	3700
Net weight of the dump truck .....	15600	8400	7200
Payload .....	24400	6200	18200
G.V.W .....	40000	14600	25400
Max. allowed weights .....		16000	26000

- Dimensions and weights are not binding and may undergo variations.