

# HIAB X-CLX 178



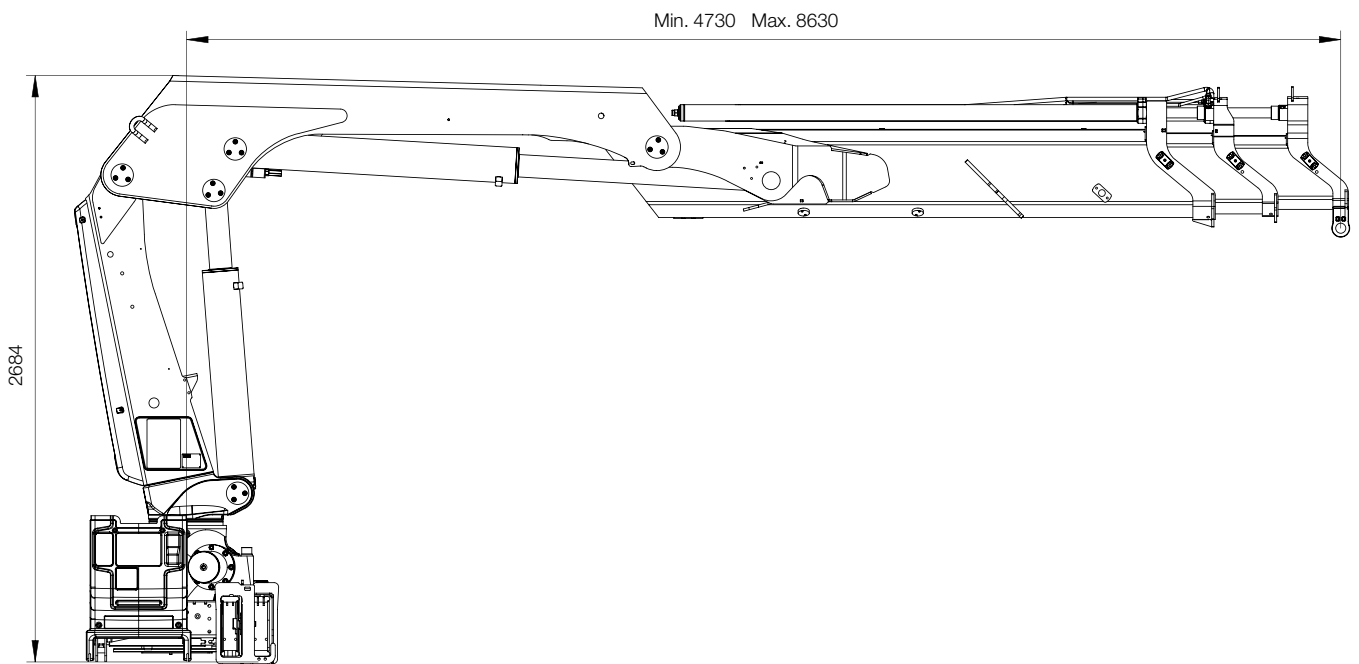
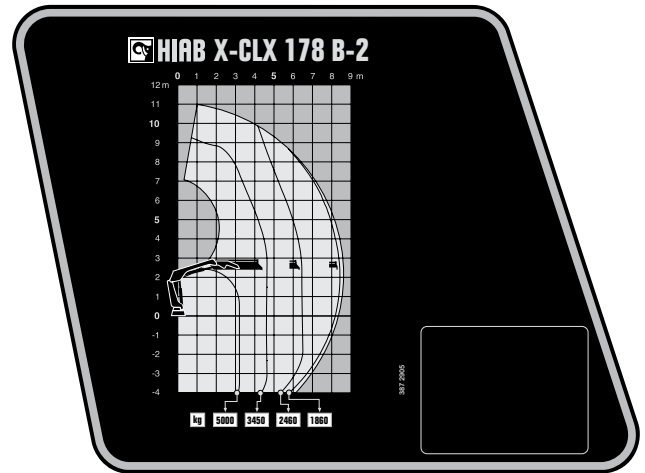
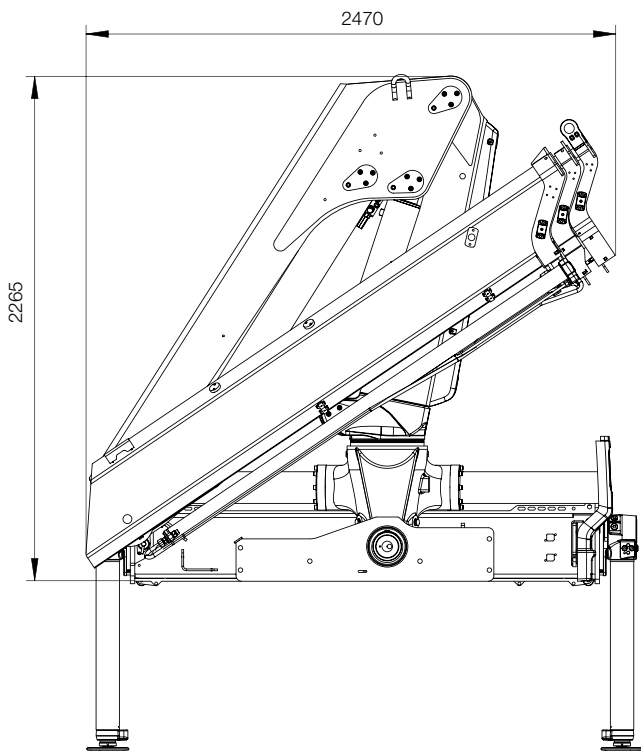
# HIAB X-CLX 178 BASIC DATA

TECHNICAL DATA	HIAB X-CLX 178 B-1	HIAB X-CLX 178 B-2	HIAB X-CLX 178 B-3	HIAB X-CLX 178 E-3
Mdyn	204 kNm	209 kNm	212 kNm	216 kNm
Lifting capacity (kNm)	163	157	152	154
Lifting capacity (tm)	16,7	16	15,5	15,7
Outreach - lifting capacity, standard (m-kg)	3,2-5100 4,5-3700 6,3-2650	3,2-5000 4,6-3450 6,4-2460 8,4-1860	3,4-4550 4,6-3350 6,4-2320 8,4-1720 10,5-1360	3,2-4900 4,8-3250 6,6-2280 8,6-1700 10,6-1360
Outreach - lifting capacity, manual extensions (m-kg)	8,4-1900	10,4-1420	12,6-1060	12,8-1060
Hydraulic outreach, standard (m)	6,5	8,6	10,8	10,8
Hydraulic boom extension (m)	1,9	3,9	6,0	6,0
Outreach, manual extensions (m)	8,6	10,8	13	12,9
Lifting height above installation level, hydr/man (m)	9,0-11,1	11,1-13,2	13,2-15,4	13,2-15,4
Rec. oil flow (l/min)	45-55	45-55	45-55	45-55
Working pressure (Mpa)	30,8	30,8	30,8	31,3
Oil in tank (l)	0-200	92-200	92-200	0-200
Tank capacity (l)	0-235	0-235	0-235	0-235
Slewing angle (°)	190-415	190-415	190-415	190-415
Max slope viable at full capacity (°)	6	6	6	6
Slewing torque, gross (kNm)	28,3	28,3	28,3	28,3
Slewing speed 80 (°/s)	15	15	15	15
Slewing speed (°/s)	15	15	15	15
Lifting speed at standard hydraulic outreach (m/s)	0,9	1,3	1,6	1,6
Height in folded position (mm)	2265	2265	2265	2260
Width in folded position (mm)	2485	2485	2492	2485
Install space required. Rotation area not included (mm)	1009	1125	1026	1026
Install space required with hose and pipe kit (mm)	1009	1125	1026	1026
Crane in standard version without support legs (kg)	1610	1760	1930	2050
Frame attachments (kg)	41-65	41-65	41-65	41-65
Support leg equipment (kg)	271 - 428	271 - 428	271 - 428	271 - 428

This table show one example of a model, and represents some of all options available. With the opportunity to configure your crane, we can provide you with a crane perfectly tailored to your needs.

Please contact your local dealer for more information and the exact data on the variety of options we can offer.

# HIAB X-CLX 178 B-2



# BUILT TO PERFORM

Hiab is the world's leading provider of on-road load handling equipment. Customer satisfaction is the first priority for us. Hiab's product range includes HIAB loader cranes, JONSERED recycling and forestry cranes, LOGLIFT forestry cranes, MOFFETT truck mounted forklifts and MULTILIFT demountables, as well as DEL, WALTCO and ZEPRO tail lifts.

[hiab.com](http://hiab.com)

Hiab is part of Cargotec.

[cargotec.com](http://cargotec.com)

