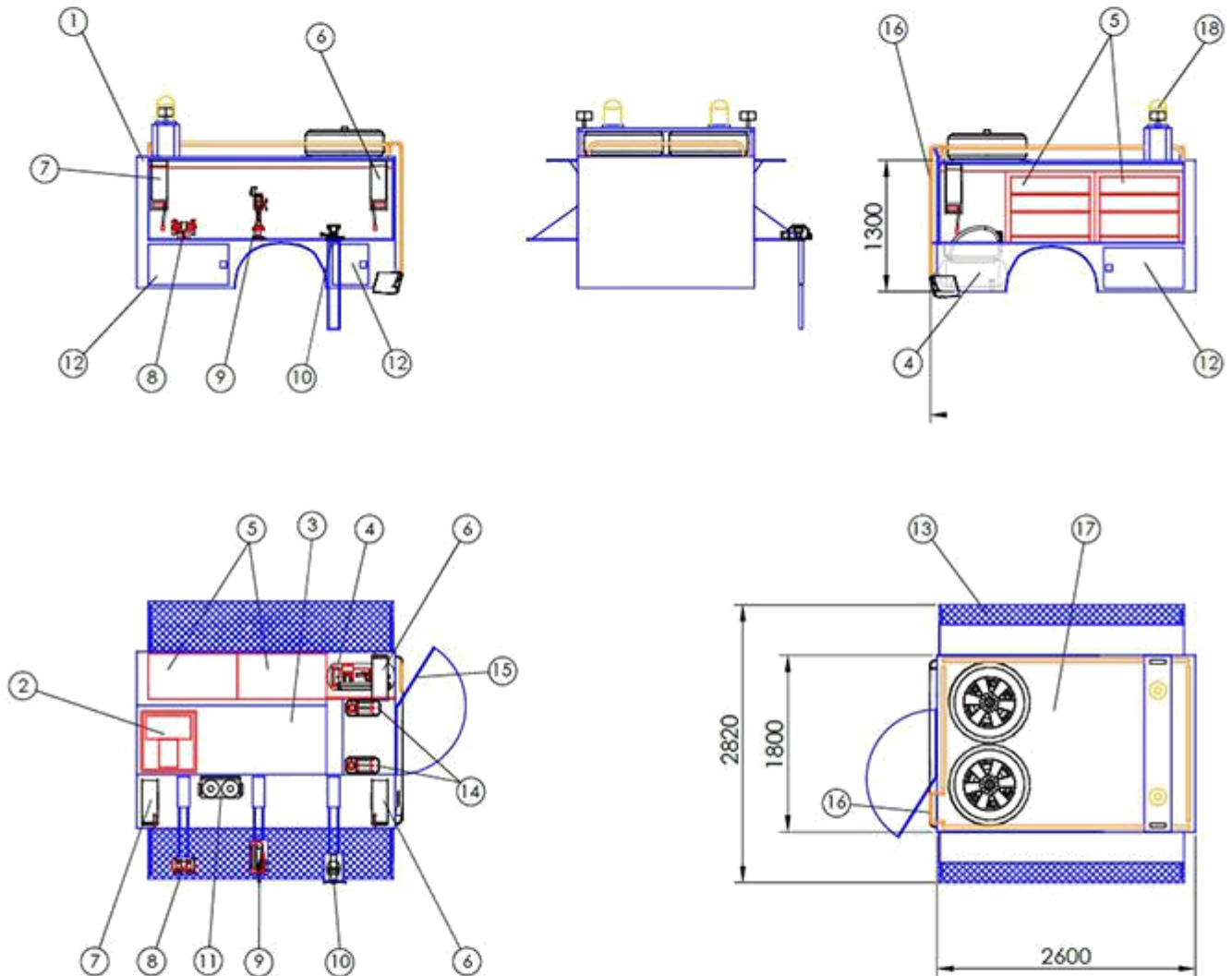


pktrucks.com



1	WORKSHOP	6	AIR REEL	11	WELDING EQUIPMENT	16	LADDER
2	GESET	7	CABLE REEL	12	CABINET	17	ROOF AREA
3	STORAGE AREA	8	GRINDER	13	DROPSIDE	18	BEACON & WORKING LIGHT
4	COMPRESSOR	9	DRILL WITH COLUMN	14	JERRYCAN	19	TOOLBOX
5	STORING SHELVES	10	VICE	15	DOOR	20	

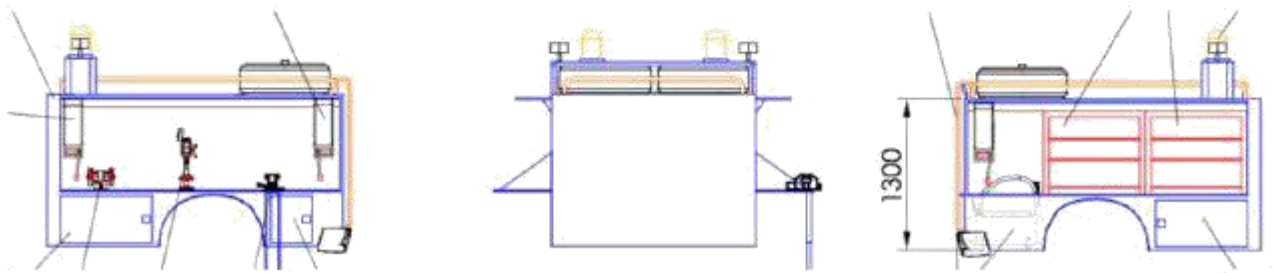
OPERATIONS

- Maintenance and repair trucks and heavy equipment.

CHASSIS

- Pick Up Vehicles

MOBILE WORKSHOP MODULE



- The Body mobile workshop module is manufactured with a tube steel structure and high quality steel drawers and sections.
- Open sides with doors for easy access to the tools and equipment.
- Rear door for storage in the middle compartment.
- 3 sides steel bars to ensure the load on the roof.
- 02 units emergency lights mounted on the roof in high position (up the cabin roof)

DIMENSIONS

- External Length: 2600 mm
- External Width (wall to wall): 1900 mm
- Height: 1300 mm

EQUIPMENT

- HONDA 6 kVA Power Generator
- Air Compressor 2 HP. 25 L
- Air Hose Reel
- Electric Cable Hose Reel
- Grinder
- Column Drill

- Vice
- Inverter Welding Equipment
- Mechanical Tool Box. 90 pieces
- Fire extinguisher
- Manual greasing and lubrication equipment.

BODY CONFIGURATION

- Side Storage Shelves
- Storage Cabinets for big size equipment.
- 02 Fuel Jerry Can + holders.
- Ladder for easy access to the roof.
- Roof storage area for tires.
- Working Lights

PAINTING PROCESS

During the metalwork process all the overlapped point are covered with an epoxy primer. All the steel elements will receive a sandblasting treatment (SA 2 ½ acc.to SIS standard) before painting in RAL colour

OPERATION MANUAL / SPARE PARTS

One set will be supplied incl. operating and maintenance instructions, diagrams and drawings, spare parts catalogue literature in English language.

PRODUCTION

It will be executed under the established quality control system ISO 9001.