

**PK 32080**

**ROBUST AND RELIABLE  
TECHNOLOGY WITH A  
MAXIMUM MANEUVER-  
ABILITY**

**LIFETIME EXCELLENCE**



# LIFETIME EXCELLENCE

PALFINGER loader cranes are convincing due to their superior life-cycle performance. They are the most economical and also the most reliable over the entire product life. From solution finding to resale.

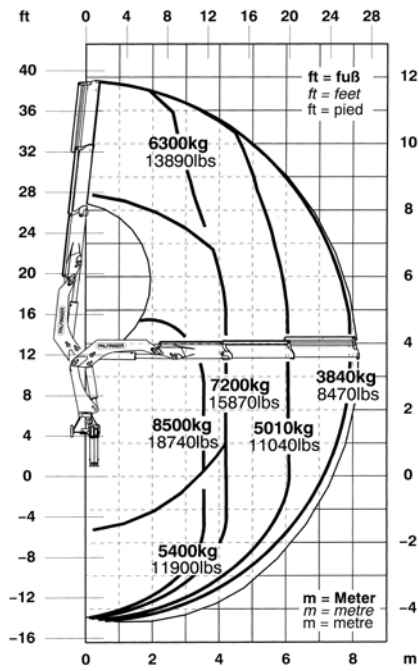
- **Better solutions**
- **Better efficiency**
- **Better ergonomics**
- **Higher availability**
- **More reliability**
- **Better ecology**
- **Higher serviceability**
- **Higher value retention**



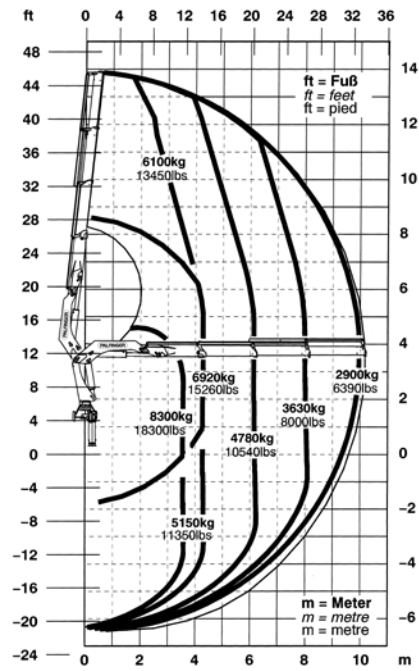
PK 32080

# HIGH PERFORMANCE

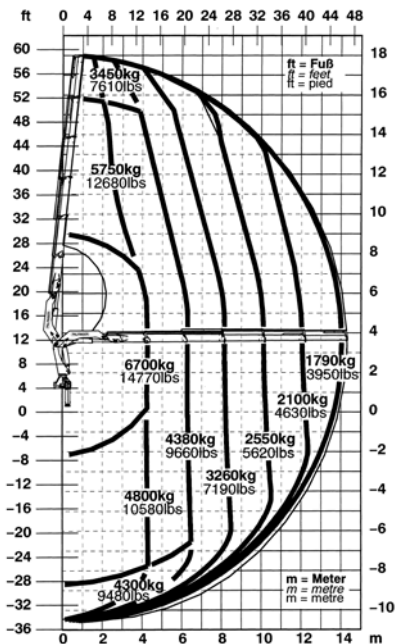
A



B

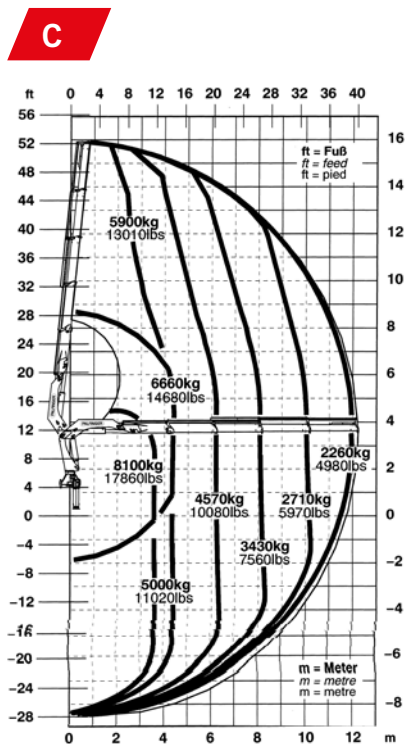


D



The outreaches stated are with a boom angle of 20° and are therefore not the maximum.

## Lifting capacities



3.5 m	11' 6"	8500 kg	18740 lbs	<b>A</b>
4.2 m	13' 9"	7200 kg	15870 lbs	
6.0 m	19' 8"	5010 kg	11040 lbs	
7.9 m	25' 11"	3840 kg	8470 lbs	

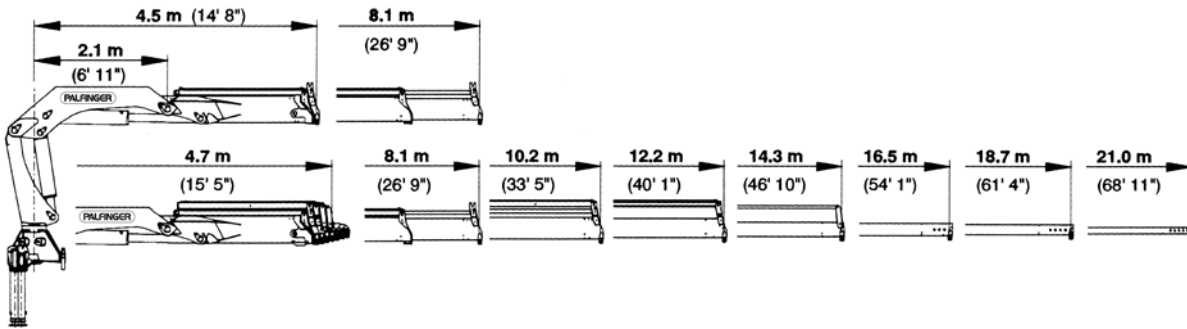
3.6 m	11' 10"	8300 kg	18300 lbs	<b>B</b>
4.3 m	14' 1"	6920 kg	15260 lbs	
6.1 m	20' 0"	4780 kg	10540 lbs	
8.0 m	26' 3"	3630 kg	8000 lbs	
9.9 m	32' 6"	2900 kg	6390 lbs	
11.9 m*	39' 1"	2340 kg	5160 lbs	
14.0 m*	45' 11"	1920 kg	4230 lbs	
16.2 m*	53' 2"	1300 kg	2870 lbs	
18.4 m*	60' 4"	900 kg	1980 lbs	
20.8 m*	68' 3"	600 kg	1320 lbs	

3.6 m	11' 10"	8100 kg	17860 lbs	<b>C</b>
4.4 m	14' 5"	6600 kg	14550 lbs	
6.2 m	20' 4"	4570 kg	10070 lbs	
8.0 m	26' 3"	3430 kg	7560 lbs	
10.0 m	32' 10"	2710 kg	5970 lbs	
11.9 m	39' 1"	2260 kg	4980 lbs	
14.0 m*	45' 11"	1760 kg	3880 lbs	
16.2 m*	53' 2"	1300 kg	2870 lbs	
18.4 m*	60' 4"	900 kg	1980 lbs	
20.8 m*	68' 3"	600 kg	1320 lbs	

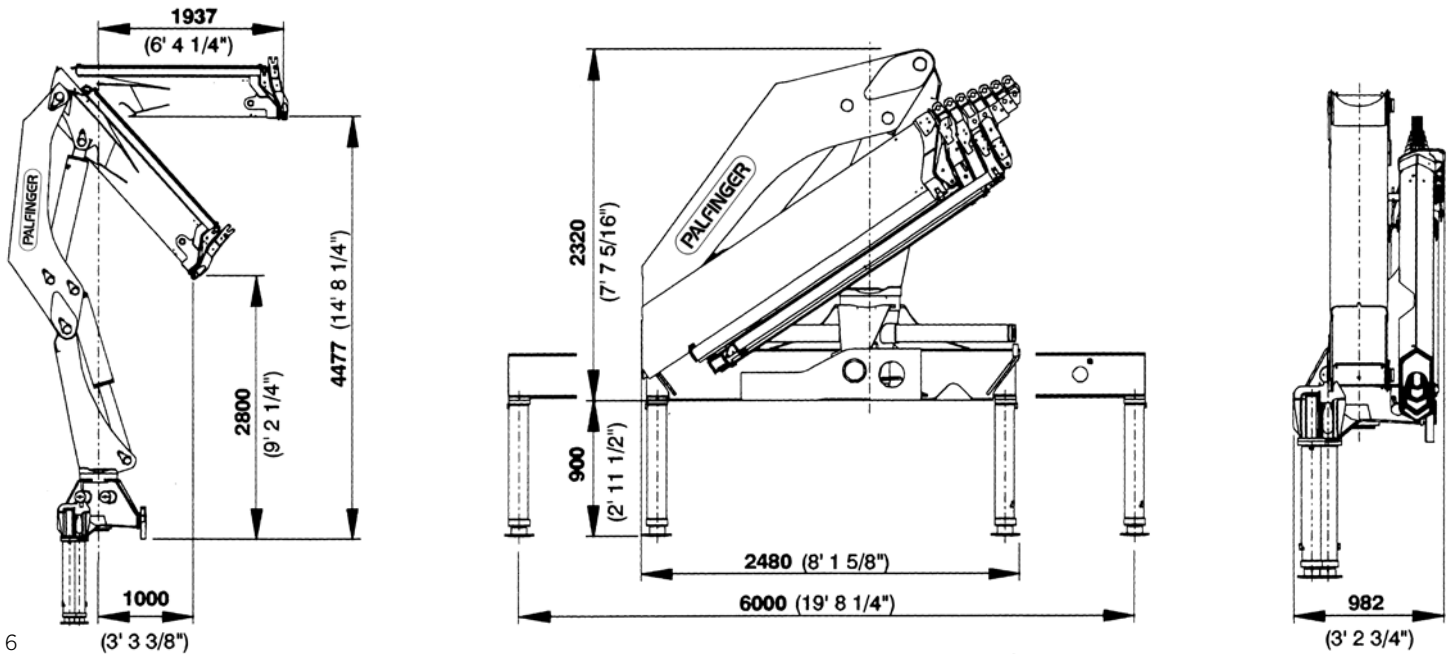
4.3 m	14' 1"	6700 kg	14770 lbs	<b>D</b>
4.4 m	14' 5"	6420 kg	14150 lbs	
6.3 m	20' 8"	4380 kg	9660 lbs	
8.1 m	26' 7"	3260 kg	7190 lbs	
10.1 m	33' 2"	2250 kg	5620 lbs	
12.0 m	39' 4"	2100 kg	4630 lbs	
14.0 m	45' 11"	1790 kg	3950 lbs	
16.1 m*	52' 10"	1300 kg	2870 lbs	
18.4 m*	60' 4"	900 kg	1980 lbs	
20.7 m*	67' 11"	600 kg	1320 lbs	

# PERFECT DIMENSIONS

## EXTENSION BOOM VARIATIONS



## DIMENSIONS



## Technical specifications

EN 12999 H1-B3

PK 32080

Max. lifting moment	30.4 mt/298.2 kNm	219860 ft.lbs
Max. lifting capacity	8500 kg/83,4 kN	18740 lbs
Max. hydraulic outreach	14.3 m	46' 11"
Max. manual outreach	21.0 m	68' 11"
Maximum outreach (with Fly-jib)	24.9 m	81' 8"
Slewing angle	400°	
Slewing torque	3.8 mt/37.3 kNm	27500 ft.lbs
Outreach	8.1 m	26' 7"
Stabiliser spread (std./max.)	6.0 m/6.0 m	19' 8"/19' 8"
Fitting space required	0.97 m	3' 2"
Width folded	2.5 m	8' 2"
Operating pressure	300 bar	4350 psi
Recommended pump capacity	50 l/min	13.2 US gal./min
Dead weight (std.)	3130 kg	6900 lbs